

## Product data sheet

### Characteristics

# ABL8RED24400

## redundancy module - 40A - for regulated SMPS



### Main

Range of product	Phaseo
Product or component type	Redundancy module
Input voltage	24...28.8 V DC
Output voltage	(U <sub>in</sub> -0.2) V DC
Maximum output current	40 A

### Complementary

Input voltage limits	22...30 V
Input current	20 A
Number of output channels	1
Output protection type	Against overload, protection technology: external protection by power supply Against short-circuits, protection technology: external protection by power supply
Connections - terminals	For output connection: screw type terminals, connection capacity: 2 x 0.5...2 x 10 mm <sup>2</sup> AWG 20...AWG 8 For input connection: screw type terminals, connection capacity: 4 x 0.5...4 x 10 mm <sup>2</sup> AWG 20...AWG 8 For diagnostic relay: removable screw terminal block, connection capacity: 1 x 2.5 mm <sup>2</sup> AWG 14
Fixing mode	By clips on 35 mm symmetrical DIN rail, operating position: horizontal By clips on 35 mm symmetrical DIN rail, operating position: vertical
Output coupling	Parallel
Operating altitude	2000 m
Marking	CE
Name of test	Electrostatic discharges conforming to EN/IEC 61000-4-2 Emission conforming to EN 61000-6-3 Induced electromagnetic field conforming to EN/IEC 61000-4-6 level 3 Radiated electromagnetic field conforming to EN/IEC 61000-4-3 level 3 Rapid transient conforming to IEC 61000-4-4 level 3 Surge conforming to EN/IEC 61000-4-5 level 2 Conducted/Radiated emissions conforming to EN 55022 class B Emission conforming to EN 50081-1
Local signalling	1 LED per input (green) for power supply status 1 relay for power supply status
Product weight	0.7 kg

The information provided in this documentation contains general descriptions and/or technical characteristics of the performance of the products contained herein. This documentation is not intended as a substitute for and is not to be used for determining suitability or reliability of these products for specific user applications. It is the duty of any such user or integrator to perform the appropriate and complete risk analysis, evaluation and testing of the products with respect to the relevant specific application or use thereof. Neither Schneider Electric Industries SAS nor any of its affiliates or subsidiaries shall be responsible or liable for misuse of the information contained herein.

## Environment

Product certifications	EAC RCM
Standards	CSA C22.2 No 60950-1 UL 508
Ambient air temperature for operation	-25...60 °C
Ambient air temperature for storage	-40...85 °C
Environmental characteristic	EMC conforming to EN 61000-6-3 EMC conforming to EN/IEC 61000-6-2 Safety conforming to EN/IEC 60950-1 Safety conforming to EN/IEC 61204
IP degree of protection	IP20 conforming to EN/IEC 60529
Dielectric strength	500 V between input and ground 500 V between output and ground
Overvoltage category	Class II conforming to VDE 0106-1
Relative humidity	0...90 % during operation 0...95 % during storage
MTBF reliability	2488391 H at 24 V DC with UTE C80-810 calculation method
Vibration resistance	2 gn (f= 11.9...150 Hz) conforming to EN/IEC 61131-2 3.5 mm (f= 3...11.9 Hz) conforming to EN/IEC 61131-2

## Packing Units

Unit Type of Package 1	PCE
Number of Units in Package 1	1
Package 1 Weight	594 g
Package 1 Height	6.5 cm
Package 1 width	16.5 cm
Package 1 Length	16 cm
Unit Type of Package 2	S03
Number of Units in Package 2	10
Package 2 Weight	5.94 kg
Package 2 Height	30 cm
Package 2 width	30 cm
Package 2 Length	40 cm
Unit Type of Package 3	PAL
Number of Units in Package 3	80
Package 3 Weight	61.724 kg
Package 3 Height	77 cm
Package 3 width	60 cm
Package 3 Length	80 cm

## Offer Sustainability

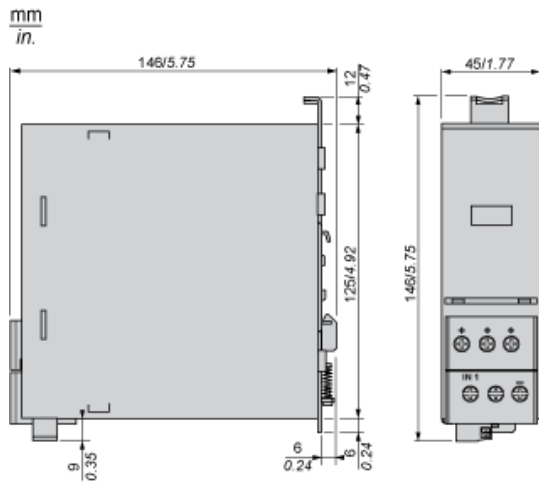
REACH Regulation	<a href="#">REACH Declaration</a>
REACH free of SVHC	Yes
EU RoHS Directive	Pro-active compliance (Product out of EU RoHS legal scope) <a href="#">EU RoHS Declaration</a>
Mercury free	Yes
RoHS exemption information	<a href="#">Yes</a>
China RoHS Regulation	<a href="#">China RoHS Declaration</a>
PVC free	Yes

## Contractual warranty

Warranty	18 months
----------	-----------

Redundancy Module

Dimensions



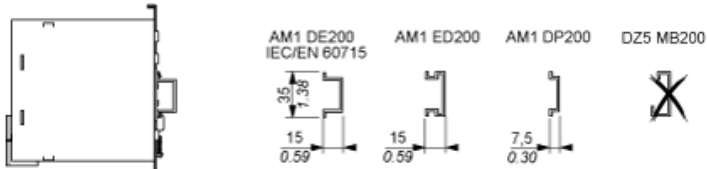
---

Redundancy Module

---

Mounting

Redundancy modules can be installed on a DIN rail. The graphic below provides the characteristics and references of the compatible DIN rails for the mounting of the module.

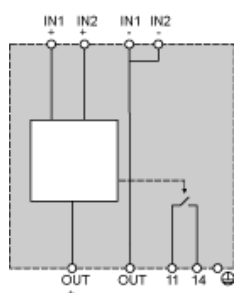


Wiring Requirements

Cable Types and Wire Sizes

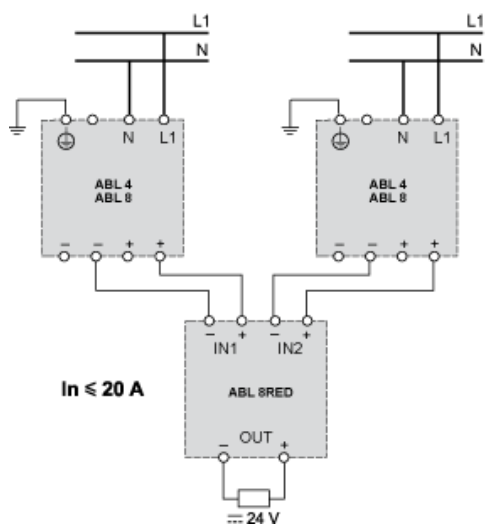
mm /in		ABL	8RPS24030	8RPS24050 8RPS24100	8RPM24200 8WPS24200/24400
$\varnothing \leq 4 \text{ mm}^2$ $\varnothing \leq 12 \text{ AWG}$	$\varnothing > 4 \text{ mm}^2$ $\varnothing > 12 \text{ AWG}$				
+ In -	mm <sup>2</sup> /AWG		1...4 / 16...12		
+ Out -	mm <sup>2</sup> /AWG		1...4 / 16...12	4...10 / 12...6	
	mm/in		4 / 0.16		
11...14	mm <sup>2</sup> /AWG	-	0,2...2,5 / 24...14		

Internal Wiring Diagram



Scheme of Use with Power Supplies

Wiring Diagram with  $I_n \leq 20\text{mA}$



## Wiring Diagram with $I_n \leq 40\text{mA}$

