

## Product data sheet

### Characteristics

# ATV32H037N4

Altivar 32, Variable speed drive ATV32, 0.37 kw, 400 V, 3 phase, with heat sink



### Main

|                              |   |
|------------------------------|---|
| Range of product             | Altivar 32                                |
| Product or component type    | Variable speed drive                      |
| Product destination          | Synchronous motors<br>Asynchronous motors |
| Product specific application | Complex machines                          |
| Function available           | -   |
| Assembly style               | With heat sink                            |
| Component name               | ATV32                                     |
| EMC filter                   | Class C2 EMC filter integrated            |
| Network number of phases     | 3 phases                                  |
| [Us] rated supply voltage    | 380...500 V - 15...10 %                   |
| Supply voltage limits        | 323...550 V                               |
| Supply frequency             | 50...60 Hz - 5...5 %                      |
| Network frequency            | 47.5...63 Hz                              |
| Motor power kW               | 0.37 kW at 380...480 V                    |
| Motor power hp               | 0.5 hp at 380...480 V                     |

### Complementary

|                                    |  |
|------------------------------------|--|
| Line current                       | 1.6 A for 500 V 3 phases 0.37 kW / 0.5 hp<br>2.1 A for 380 V 3 phases 0.37 kW / 0.5 hp   |
| Apparent power                     | 1.4 kVA at 500 V 3 phases 0.37 kW / 0.5 hp   |
| Prospective line I <sub>sc</sub>   | 5 kA for 3 phases  |
| Nominal output current             | 1.5 A at 4 kHz 500 V 0.37 kW / 0.5 hp  |
| Maximum transient current          | 2.3 A for 60 s 0.37 kW / 0.5 hp  |
| Output frequency                   | 0.0005...0.599 kHz   |
| Nominal switching frequency        | 4 kHz  |
| Switching frequency                | 2...16 kHz adjustable  |
| Speed range                        | 1...100 for asynchronous motor in open-loop mode   |
| Speed accuracy                     | +/- 10 % of nominal slip 0.2 T <sub>n</sub> to T <sub>n</sub>  |
| Torque accuracy                    | +/- 15 %   |
| Transient overtorque               | 170...200 %  |
| Braking torque                     | <= 170 % with braking resistor   |
| Asynchronous motor control profile | Voltage/Frequency ratio, 5 points<br>Voltage/Frequency ratio - Energy Saving, quadratic U/f<br>Flux vector control without sensor, standard<br>Voltage/Frequency ratio, 2 points<br>Flux vector control without sensor - Energy Saving, NoLoad law |
| Synchronous motor control profile  | Vector control without sensor  |
| Regulation loop                    | Adjustable PID regulator   |
| Motor slip compensation            | Not available in voltage/frequency ratio (2 or 5 points)<br>Adjustable 0...300 %<br>Automatic whatever the load  |

The information provided in this documentation contains general descriptions and/or technical characteristics of the performance of the products contained herein. This documentation is not intended as a substitute for and is not to be used for determining suitability or reliability of these products for specific user applications. It is the duty of any such user or integrator to perform the appropriate and complete risk analysis, evaluation and testing of the products with respect to the relevant specific application or use thereof. Neither Schneider Electric Industries SAS nor any of its affiliates or subsidiaries shall be responsible or liable for misuse of the information contained herein.

|                                     |   |
|-------------------------------------|---|
| Local signalling                    | 1 LED red for drive voltage<br>1 LED green for CANopen run<br>1 LED red for CANopen error<br>1 LED red for drive fault  |
| Output voltage                      | <= power supply voltage   |
| Noise level                         | 43 dB conforming to 86/188/EEC  |
| Insulation                          | Electrical between power and control  |
| Electrical connection               | Screw terminal, clamping capacity: 0.5...1.5 mm <sup>2</sup> , AWG 18...AWG 14 (control)<br>Removable screw terminals, clamping capacity: 1.5...2.5 mm <sup>2</sup> , AWG 14...AWG 12 (motor/braking resistor)<br>Screw terminal, clamping capacity: 1.5...4 mm <sup>2</sup> , AWG 14...AWG 10 (power supply)           |
| Tightening torque                   | 0.5 N.M, 4.4 lb/ft (control)<br>0.7 N.M, 7.1 lb/ft (motor/braking resistor)<br>0.6 N.m, 5.3 lb/ft (power supply)  |
| Supply                              | Internal supply for reference potentiometer (1 to 10 kOhm): 10.5 V DC +/- 5 %, <10 mA, protection type: overload and short-circuit protection   |
| Analogue input number               | 3   |
| Analogue input type                 | AI1 voltage: 0...10 V DC, impedance: 30000 Ohm, resolution 10 bits<br>AI2 bipolar differential voltage: +/- 10 V DC, impedance: 30000 Ohm, resolution 10 bits<br>AI3 current: 0...20 mA (or 4-20 mA, x-20 mA, 20-x mA or other patterns by configuration), impedance: 250 Ohm, resolution 10 bits                       |
| Sampling duration                   | 2 Ms (AI1, AI2, AI3) - analog input(s)<br>2 ms (AO1) - analog input(s)  |
| Response time                       | LI1...LI6 8 ms, tolerance +/- 0.7 ms for logic output(s)<br>R1A, R1B, R1C 2 ms for relay output(s)<br>R2A, R2C 2 ms for relay output(s)   |
| Accuracy                            | +/- 0.2 % (AI1, AI2, AI3) for a temperature of -10...60 °C<br>+/- 0.5 % (AI1, AI2, AI3) for a temperature of 25 °C<br>+/- 1 % (AO1) for a temperature of 25 °C<br>+/- 2 % (AO1) for a temperature of -10...60 °C  |
| Linearity error                     | +/- 0.2...0.5 % of maximum value (AI1, AI2, AI3)<br>+/- 0.3 % (AO1)   |
| Analogue output number              | 1   |
| Analogue output type                | AO1 software-configurable current 0...20 mA, impedance: 800 Ohm, resolution 10 bits<br>AO1 software-configurable voltage 0...10 V, impedance: 470 Ohm, resolution 10 bits   |
| Discrete output number              | 3   |
| Discrete output type                | Configurable relay logic: (R1A, R1B, R1C) NO/NC - 100000 cycles<br>Configurable relay logic: (R2A, R2B) NO - 100000 cycles<br>Logic: (LO)   |
| Minimum switching current           | 5 mA at 24 V DC for configurable relay logic  |
| Maximum switching current           | R1: 3 A at 250 V AC resistive load, cos phi = 1<br>R1: 4 A at 30 V DC resistive load, cos phi = 1<br>R1, R2: 2 A at 250 V AC inductive load, cos phi = 0.4<br>R1, R2: 2 A at 30 V DC inductive load, cos phi = 0.4<br>R2: 5 A at 250 V AC resistive load, cos phi = 1<br>R2: 5 A at 30 V DC resistive load, cos phi = 1 |
| Discrete input number               | 7   |
| Discrete input type                 | Programmable (sink/source) (LI1...LI4)24...30 V DC, with level 1 PLC<br>Programmable as pulse input 20 kpps (LI5)24...30 V DC, with level 1 PLC<br>Switch-configurable PTC probe (LI6)24...30 V DC<br>Safe torque off (STO)24...30 V DC - 1500 Ohm  |
| Discrete input logic                | Negative logic (sink) (LI1...LI6), > 19 V (state 0), < 13 V (state 1)<br>Positive logic (source) (LI1...LI6), < 5 V (state 0), > 11 V (state 1)   |
| Acceleration and deceleration ramps | CUS<br>Deceleration ramp automatic stop DC injection<br>U<br>Deceleration ramp adaptation<br>S<br>Linear<br>Ramp switching  |
| Braking to standstill               | By DC injection   |
| Protection type                     | Input phase breaks: drive<br>Overcurrent between output phases and earth: drive<br>Overheating protection: drive<br>Short-circuit between motor phases: drive<br>Thermal protection: drive  |

|                               |  |
|-------------------------------|--|
| Communication port protocol   | CANopen<br>Modbus  |
| Connector type                | 1 RJ45 (on front face) for Modbus/CANopen  |
| Physical interface            | 2-wire RS 485 for Modbus   |
| Transmission frame            | RTU for Modbus   |
| Type of polarization          | No impedance for Modbus  |
| Number of addresses           | 1...127 for CANopen<br>1...247 for Modbus  |
| Method of access              | Slave CANopen  |
| Electromagnetic compatibility | 1.2/50 $\mu$ s - 8/20 $\mu$ s surge immunity test, level 3 conforming to IEC 61000-4-5<br>Conducted radio-frequency immunity test, level 3 conforming to IEC 61000-4-6<br>Electrical fast transient/burst immunity test, level 4 conforming to IEC 61000-4-4<br>Electrostatic discharge immunity test, level 3 conforming to IEC 61000-4-2<br>Radiated radio-frequency electromagnetic field immunity test, level 3 conforming to IEC 61000-4-3<br>Voltage dips and interruptions immunity test conforming to IEC 61000-4-11 |
| Width                         | 45 mm  |
| Height                        | 325 mm   |
| Depth                         | 245 mm   |
| Net weight                    | 2.5 kg   |
| Option card                   | Communication card for CANopen daisy chain<br>Communication card for CANopen open style<br>Communication card for DeviceNet<br>Communication card for EtherNet/IP<br>Communication card for Profibus DP V1   |
| Functionality                 | Mid  |
| Specific application          | Other applications   |

## Environment

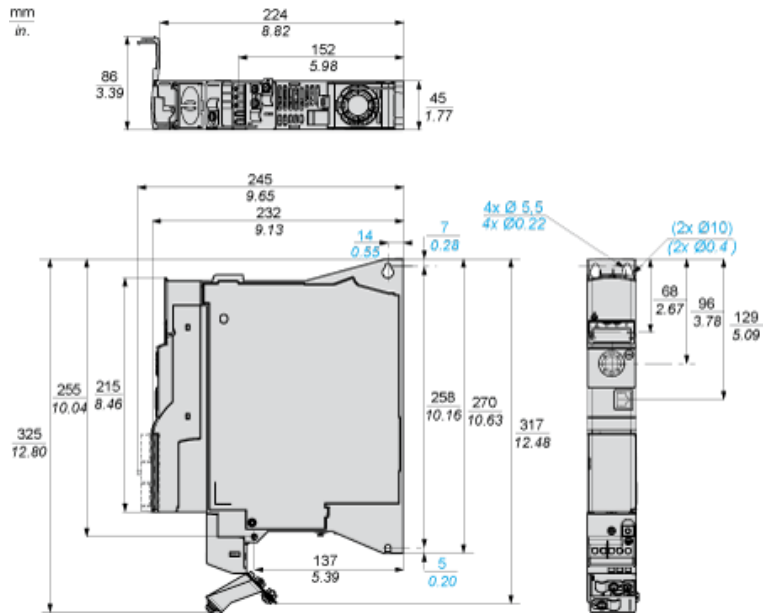
|                                       |  |
|---------------------------------------|--|
| Standards                             | EN 61800-3 environments 1 category C2<br>EN/IEC 61800-5-1<br>EN/IEC 61800-3<br>EN 55011 class A group 1<br>EN 61800-3 environments 2 category C2 |
| Product certifications                | NOM 117[RETURN]UL[RETURN]C-Tick[RETURN]GOST[RETURN]CSA   |
| Marking                               | CE   |
| Pollution degree                      | 2 conforming to EN/IEC 61800-5-1   |
| IP degree of protection               | IP20 conforming to EN/IEC 61800-5-1  |
| Vibration resistance                  | 1 gn (f = 13...200 Hz) conforming to EN/IEC 60068-2-6<br>1.5 mm peak to peak (f = 3...13 Hz) conforming to EN/IEC 60068-2-6                      |
| Shock resistance                      | 15 gn for 11 ms conforming to EN/IEC 60068-2-27  |
| Relative humidity                     | 5...95 % without condensation conforming to IEC 60068-2-3<br>5...95 % without dripping water conforming to IEC 60068-2-3                         |
| Ambient air temperature for operation | -10...50 °C without derating<br>50...60 °C with derating factor  |
| Ambient air temperature for storage   | -25...70 °C  |
| Operating altitude                    | <= 1000 m without derating<br>1000...3000 m with current derating 1 % per 100 m  |
| Operating position                    | Vertical +/- 10 degree   |

## Contractual warranty

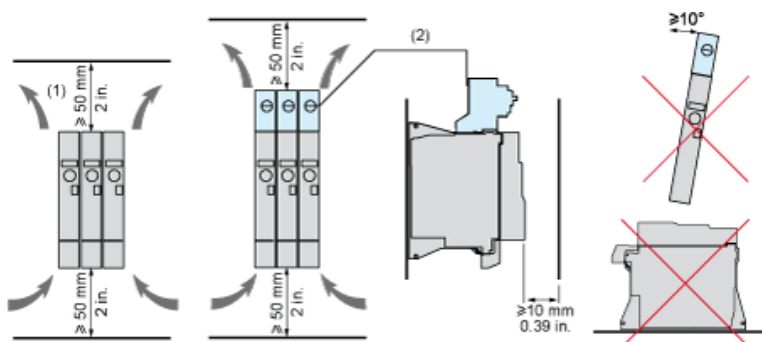
|          |           |
|----------|-----------|
| Warranty | 18 months |
|----------|-----------|

Size A

Dimensions



Mounting and Clearance



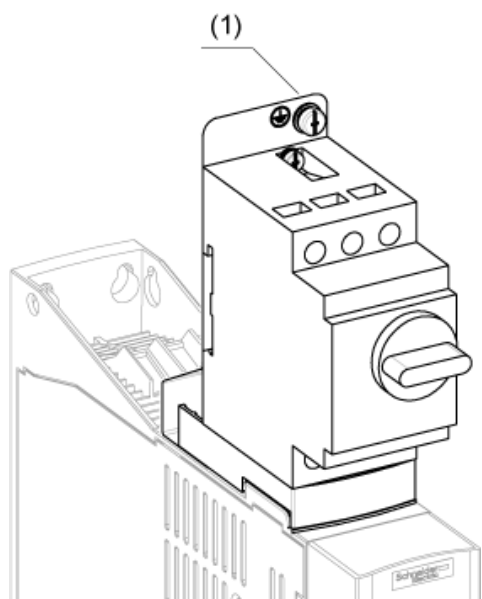
- (1) Minimum value corresponding to thermal constraints. A 150 mm clearance may help to connect the ground.
- (2) Optional GV2 circuit-breaker

Option: Protection Device, GV2 circuit-breaker

The drive is prepared to be equipped with an optional GV2 circuit-breaker.

The GV2 circuit-breaker is directly mounted on the drive. Mechanical and electrical link are made using the optional adapter. The options are supplied with detailed mounting instruction sheet.

NOTE: The product overall dimension, including GV2 adapter and EMC plate mounted, becomes 424 mm (16.7 in.)

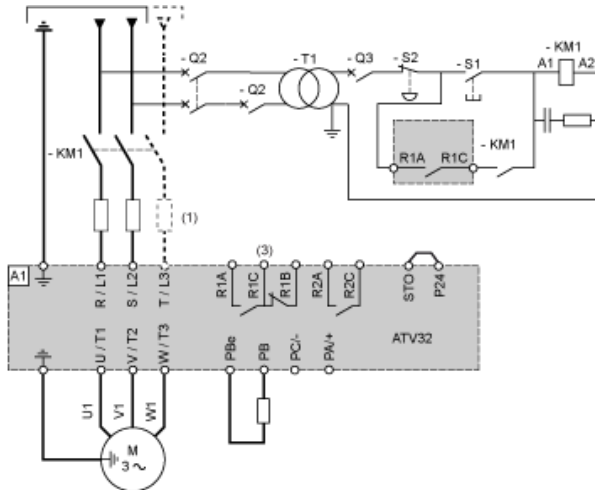


- (1) Ground screw (HS type 2 - 5x12)

Connection Diagrams

Single or Three-phase Power Supply - Diagram with Line Contactor

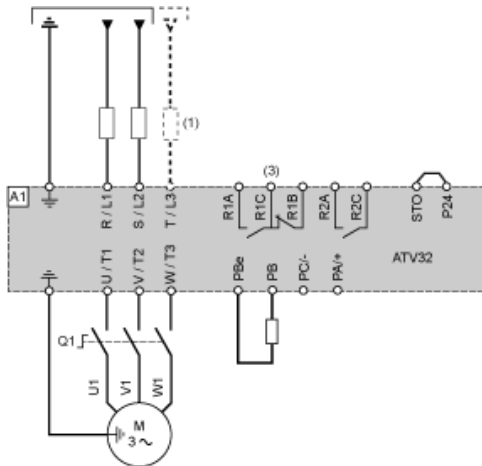
Connection diagrams conforming to standards EN 954-1 category 1 and IEC/EN 61508 capacity SIL1, stopping category 0 in accordance with standard IEC/EN 60204-1.



- (1) Line choke (if used)
- (3) Fault relay contacts, for remote signaling of drive status

Single or Three-phase Power Supply - Diagram with Switch Disconnect

Connection diagrams conforming to standards EN 954-1 category 1 and IEC/EN 61508 capacity SIL1, stopping category 0 in accordance with standard IEC/EN 60204-1.



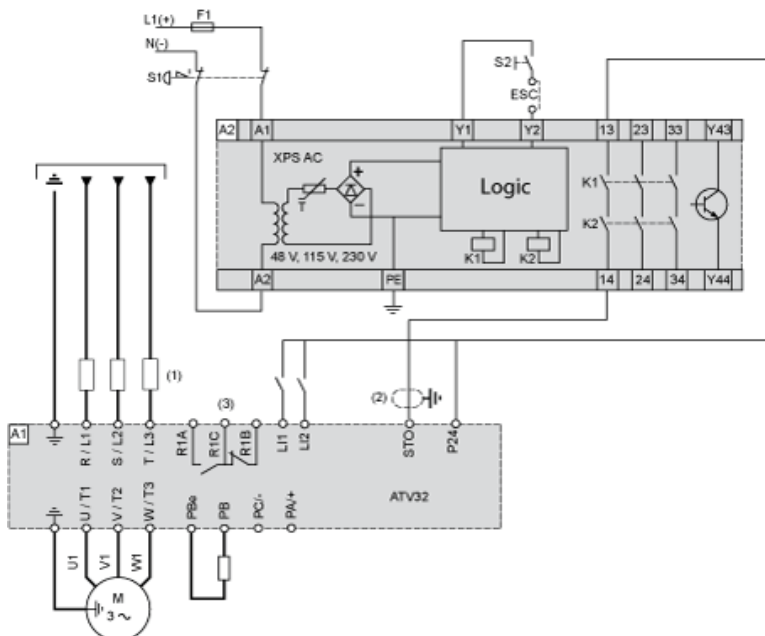
- (1) Line choke (if used)
- (3) Fault relay contacts, for remote signaling of drive status

Diagram with Preventa Safety Module (Safe Torque Off Function)

Connection diagrams conforming to standards EN 954-1 category 3 and IEC/EN 61508 capacity SIL2, stopping category 0 in accordance with standard IEC/EN 60204-1.

When the emergency stop is activated, the drive power supply is cut immediately and the motor stops in freewheel, according to category 0 of standard IEC/EN 60204-1.

A contact on the Preventa XPS AC module must be inserted in the brake control circuit to engage it safely when the STO (Safe Torque Off) safety function is activated.



- (1) Line choke (if used)
- (2) It is essential to connect the shielding to the ground.
- (3) Fault relay contacts, for remote signaling of drive status

The STO safety function integrated into the product can be used to implement an "EMERGENCY STOP" (IEC 60204-1) for category 0 stops. With an additional, approved EMERGENCY STOP module, it is also possible to implement category 1 stops.

#### STO function

The STO safety function is triggered via 2 redundant inputs. The circuits of the two inputs must be separate so that there are always two channels. The switching process must be simultaneous for both inputs (offset < 1 s).

The power stage is disabled and an error message is generated. The motor can no longer generate torque and coasts down without braking. A restart is possible after resetting the error message with a "Fault Reset".

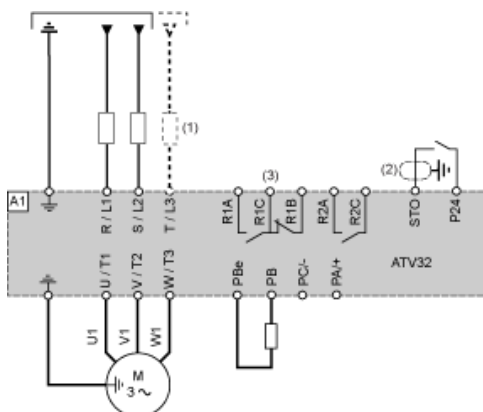
The power stage is disabled and an error message is generated if only one of the two inputs is switched off or if the time offset is too great. This error message can only be reset by switching off the product.

### Diagram without Preventa Safety Module

Connection diagrams conforming to standards EN 954-1 category 2 and IEC/EN 61508 capacity SIL1, stopping category 0 in accordance with standard IEC/EN 60204-1.

The connection diagram below is suitable for use with machines with a short freewheel stop time (machines with low inertia or high resistive torque).

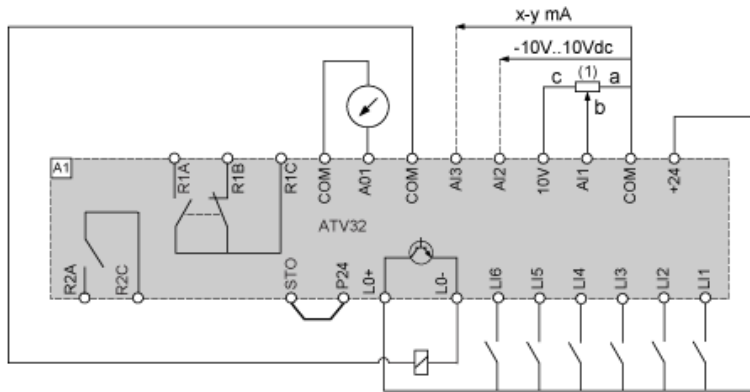
When the emergency stop is activated, the drive power supply is cut immediately and the motor stops in freewheel, according to category 0 of standard IEC/EN 60204-1.



- (1) Line choke (if used)
- (2) It is essential to connect the shielding to the ground.
- (3) Fault relay contacts, for remote signaling of drive status

The STO safety function integrated into the product can be used to implement an "EMERGENCY STOP" (IEC 60204-1) for category 0 stops.

### Control Connection Diagram in Source Mode

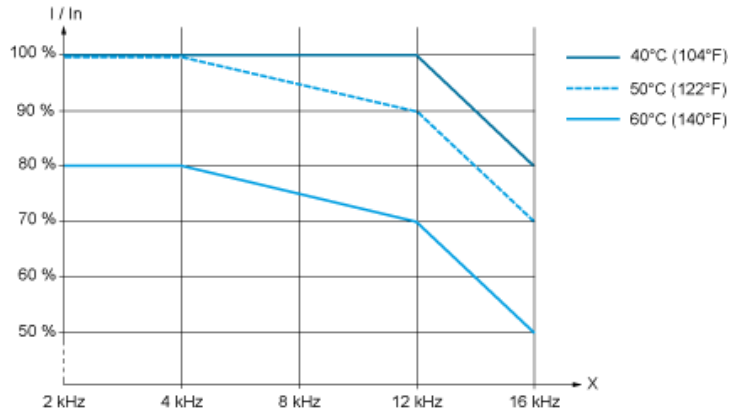


(1) Reference potentiometer SZ1RV1202 (2.2 kΩ) or similar (10 kΩ maximum)



Derating Curves

Derating curve for the nominal drive current ( $I_n$ ) as a function of temperature and switching frequency.

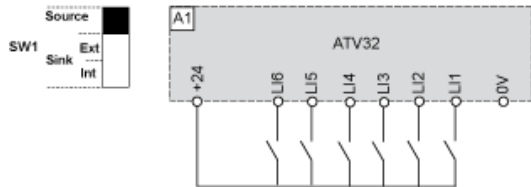


X Switching frequency

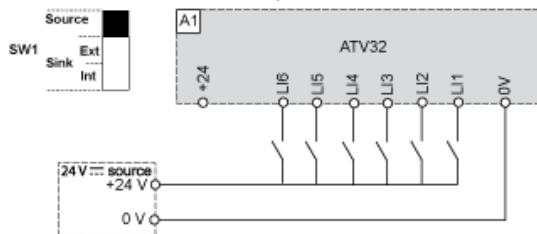
Above 4 kHz, the drive will reduce the switching frequency automatically in the event of an excessive temperature rise.

Sink / Source Switch Configuration (SW1)

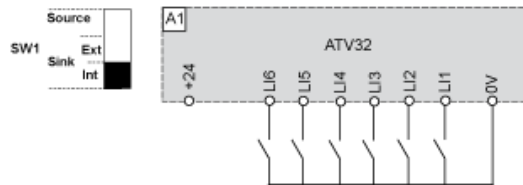
The logic input switch (SW1) is used to adapt the operation of the logic inputs to the technology of the programmable controller outputs.  
 Switch SW1 set to "Source" position



Switch SW1 set to "Source" position and use of an external power supply for the LIs



Switch SW1 set to "Sink Int" position



Switch SW1 set to "Sink Ext" position

