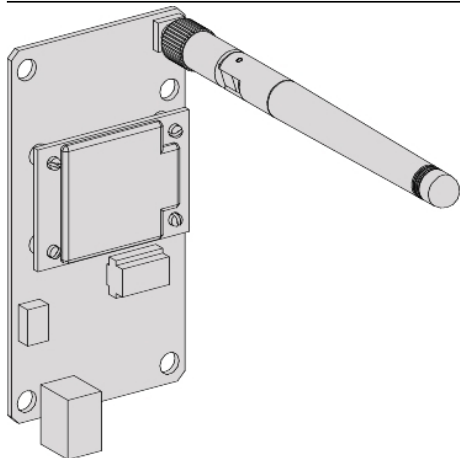


Product data sheet

Characteristics

EVP1MWSI

WiFi accessory for EVlink Smart Wallbox



Main

Range	EVlink
Product or component type	WiFi board
Number of channels	1

Complementary

Transmission frequency band	2.4 GHz ETSI conforming to IEEE 802.11b/g/n 5 GHz ETSI conforming to IEEE 802.11a
Ethernet protocol	Ethernet TCP/IP
Encryption protocol	WEP 64 WEP WEP 128 WEP WPA-PSK WPA-PSK WPA2-PSK WPA2-PSK WPA-TKIP PEAP WPA2-AES PEAP
Communication network type	Wi-Fi
Ethernet service	Ethernet bridge
Receiver sensitivity	- 90...- 74 dBm conforming to IEEE 802.11a - 92...- 86 dBm conforming to IEEE 802.11b - 89...- 72 dBm conforming to IEEE 802.11g
[Us] rated supply voltage	5 V DC
Width	45 mm
Height	90 mm
Depth	15 mm




Environment

Ambient air temperature for operation	-20...80 °C
Ambient air temperature for storage	-20...85 °C
Relative humidity	5...95 %
Standards	IEEE 802.11b IEEE 802.11a IEEE 802.11g
Product certifications	CE

Packing Units

Unit Type of Package 1	PCE
Number of Units in Package 1	1
Package 1 Weight	224 g
Package 1 Height	6 cm
Package 1 width	16 cm
Package 1 Length	25 cm

Offer Sustainability

EU RoHS Directive	Pro-active compliance (Product out of EU RoHS legal scope)  EU RoHS Declaration
Mercury free	Yes
RoHS exemption information	 Yes
China RoHS Regulation	 China RoHS Declaration