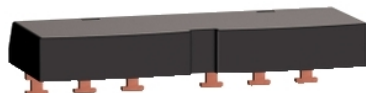


Product data sheet

Characteristics

GV3G264

Linergy FT - Comb busbar for parallelling 2 contactors



Main

Range	Linergy
Product name	FT
Device short name	GV3G
Product or component type	Comb busbar
Accessory / separate part category	Connection accessory
Poles description	3P
Range compatibility	TeSys D TeSys K TeSys U TeSys GV3
Product compatibility	GV3P LC1D40A...D65A GV3L
Number of tap-offs	2
[I _{th}] conventional free air thermal current	115 A
Connection pitch	64 mm

Complementary

Mounting location	On terminal
[U _i] rated insulation voltage	690 V
Net weight	0.15 kg

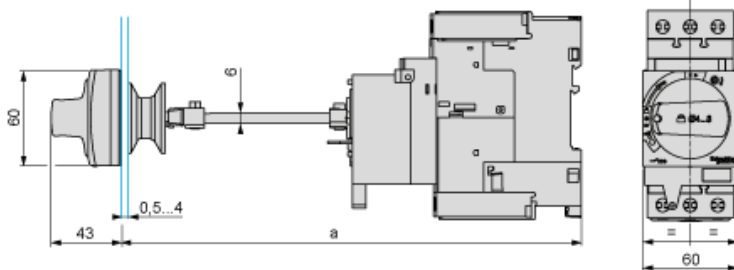
Offer Sustainability

Sustainable offer status	Green Premium product
REACH Regulation	REACH Declaration
REACH free of SVHC	Yes
EU RoHS Directive	Compliant EU RoHS Declaration
Toxic heavy metal free	Yes
Mercury free	Yes
RoHS exemption information	Yes
China RoHS Regulation	China RoHS Declaration
Environmental Disclosure	Product Environmental Profile
WEEE	The product must be disposed on European Union markets following specific waste collection and never end up in rubbish bins

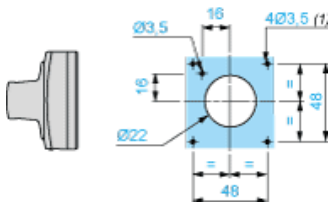
Contractual warranty

Warranty	18 months
----------	-----------

Mounting of External Operator GV3APN01, GV3APN02 or GV3APN04 for Motor Circuit Breakers GV3L

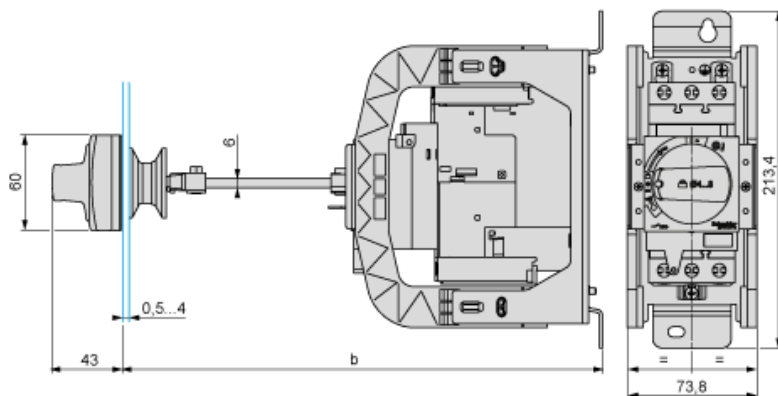


Door cut-out



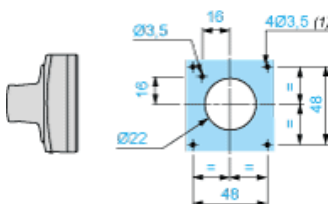
(1) For IP65 only.

Mounting of External Operator GVAPH03 for Motor Circuit Breakers GV3L



	b	
	Minimum	Maximum
GV3APN.. + GVAPH03	200	300
GV3APN.. + GVAPH03 + GVAPK12	300	492

Door cut-out



(1) For IP65 only.