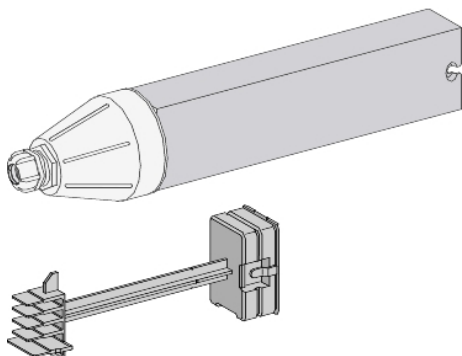


Product data sheet

Characteristics

KBA25ABG4

Canalis, Feed unit for KBA - 25 A - left mounting



Main

Range of product	Canalis
Product or component type	Feed unit
Conductors material	Aluminium
[Ie] rated operational current	25 A
Protection type	Without protection
[Ue] rated operational voltage	230...400 V



Complementary

Control type	Without
Number of circuits	1
Provided equipment	End cover
Mounting location	Left
Mounting mode	By screws
Mounting support	Busbar
Connections - terminals	Terminal block - screw clamp connector for 4 mm ²
Width	273 mm
Depth	57 mm
Height	57 mm
Standards	IEC 60439-2 IEC 61439-6

Environment

IP degree of protection	IP55 conforming to IEC 60529
-------------------------	------------------------------

Offer Sustainability

Sustainable offer status	Green Premium product
EU RoHS Directive	Pro-active compliance (Product out of EU RoHS legal scope)  EU RoHS Declaration
Environmental Disclosure	 Product Environmental Profile

Contractual warranty

Warranty	18 months
----------	-----------