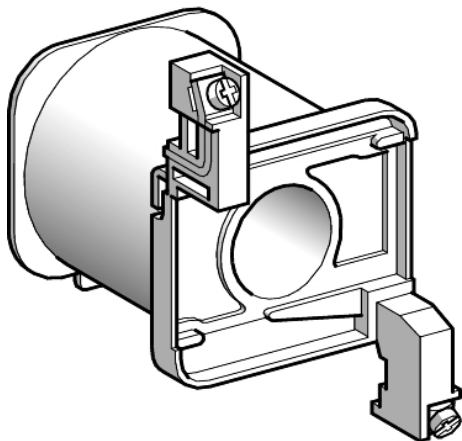


Product data sheet

Characteristics

LX4D7FW

TeSys D - contactor coil - LX4D7 - 110 V DC wide range for 80 A contactor



Main

Range	TeSys
Product or component type	Contactor coil
Device short name	LX4D7
Control circuit type	DC wide range
[Uc] control circuit voltage	110 V DC
Average resistance	483 Ohm at 20 °C
Inductance of closed circuit	36 H
Product compatibility	LC1D80
Mechanical durability	10 Mcycles
Maximum operating rate	3600 cyc/h 60 °C

Complementary

Coil technology	Without built-in suppressor module
Control circuit voltage limits	Drop-out: 0.1...0.3 Uc (at <55 °C) Operational: 0.75...1.2 Uc (at <55 °C)
Time constant	75 ms
Inrush power in W	22 W (at 20 °C)
Hold-in power consumption in W	22 W at 20 °C

Environment

Ambient air temperature for operation	-5...60 °C
Net weight	0.68 kg

Packing Units

Unit Type of Package 1	PCE
Number of Units in Package 1	1
Package 1 Weight	729 g
Package 1 Height	8.5 cm
Package 1 width	12.5 cm
Package 1 Length	8.8 cm

Contractual warranty

Warranty	18 months
----------	-----------