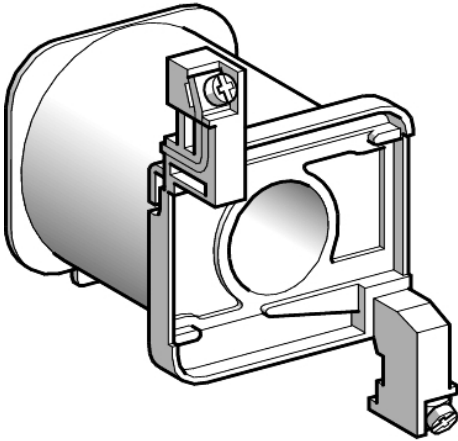


Product data sheet

Characteristics

LX4D7RD

TeSys D - contactor coil - LX4D7 - 440 V DC
standard for 80 A contactor



Main

Range	TeSys
Product or component type	Contactor coil
Device short name	LX4D7
Control circuit type	DC standard
[Uc] control circuit voltage	440 V DC
Average resistance	9195 Ohm at 20 °C
Inductance of closed circuit	640 H
Product compatibility	LC1D80
Mechanical durability	10 Mcycles
Maximum operating rate	3600 cyc/h 60 °C

Complementary

Coil technology	Without built-in suppressor module
Control circuit voltage limits	Drop-out: 0.1...0.3 Uc (at <55 °C) Operational: 0.85...1.1 Uc (at <55 °C)
Time constant	75 ms
Inrush power in W	22 W (at 20 °C)
Hold-in power consumption in W	22 W at 20 °C




Environment

Ambient air temperature for operation	-5...60 °C
Net weight	0.68 kg

Packing Units

Unit Type of Package 1	PCE
Number of Units in Package 1	1
Package 1 Weight	680 g
Package 1 Height	9 cm
Package 1 width	11.5 cm
Package 1 Length	14.5 cm

Offer Sustainability

REACH free of SVHC	Yes
EU RoHS Directive	Compliant  EU RoHS Declaration
Mercury free	Yes
RoHS exemption information	 Yes
China RoHS Regulation	 China RoHS Declaration

Contractual warranty

Warranty	18 months
----------	-----------