

Product data sheet

Characteristics

RE17LCBM

Harmony Timer Relays, Modular timing relay, 0.7A, 1s..100h, off delay, solid state output, 24...240V AC



Main

| | |
|---------------------------|---|
| Range of product | Harmony Timer Relays |
| Product or component type | Single function relay |
| Discrete output type | Solid state |
| Width | 17.5 mm |
| Component name | RE17L |
| Time delay type | Off-delay |
| Time delay range | 10...100 h 6...60 s 6...60 min 1...10 h 1...10 s 1...10 min 0.1...1 s |
| Nominal output current | 0.7 A |

Complementary

| | |
|--|--|
| Control type | Selector switch front panel |
| [Us] rated supply voltage | 24...240 V AC 50/60 Hz |
| Voltage range | 0.85...1.1 Us |
| Supply frequency | 50...60 Hz +/- 5 % |
| Release of input voltage | 7 V |
| Control signal pulse width | 0.05 s typical |
| Insulation resistance | 100 MOhm at 500 V DC conforming to IEC 60664-1 |
| [Uimp] rated impulse withstand voltage | 5 kV during 1.2/50 µs |
| Power on delay | 100 ms |
| Connections - terminals | Screw terminals, 1 x 0.5...1 x 3.3 mm ² (AWG 20...AWG 12) solid without cable end Screw terminals, 2 x 0.5...2 x 2.5 mm ² (AWG 20...AWG 14) solid without cable end Screw terminals, 1 x 0.2...1 x 2.5 mm ² (AWG 24...AWG 14) flexible with cable end Screw terminals, 2 x 0.2...2 x 1.5 mm ² (AWG 24...AWG 16) flexible with cable end |
| Tightening torque | 0.6...1 N.m conforming to IEC 60947-1 |
| Dielectric strength | 2.5 kV 1 mA/1 minute 50 Hz conforming to IEC 61812-1 |
| Housing material | Self-extinguishing |
| Repeat accuracy | +/- 0.5 % conforming to IEC 61812-1 |
| Temperature drift | +/- 0.05 %/°C |
| Voltage drift | +/- 0.2 %/V |
| Setting accuracy of time delay | +/- 10 % of full scale at 25 °C conforming to IEC 61812-1 |
| Reset time | 350 ms on de-energisation typical |
| On-load factor | 100 % |
| Power consumption in VA | 0...3 VA at 240 V AC |
| Breaking capacity | 0.5 A AC conforming to UL 0.7 A AC at 20 °C |
| Operating frequency | 10 Hz |

The information provided in this documentation contains general descriptions and/or technical characteristics of the performance of the products contained herein. This documentation is not intended as a substitute for and is not to be used for determining suitability or reliability of these products for specific user applications. It is the duty of any such user or integrator to perform the appropriate and complete risk analysis, evaluation and testing of the products with respect to the relevant specific application or use thereof. Neither Schneider Electric Industries SAS nor any of its affiliates or subsidiaries shall be responsible or liable for misuse of the information contained herein.

| | |
|---------------------------|--|
| Maximum output current | 20 A |
| Minimum switching current | 10 mA |
| Maximum leakage current | 5 mA |
| Maximum switching voltage | 250 V AC |
| Maximum voltage drop | <4 V 3-wire <8 V 2-wire |
| Electrical durability | 100000000 cycles |
| Marking | CE |
| Creepage distance | 4 kV/3 conforming to IEC 60664-1 |
| Safety reliability data | MTTFd = 353.8 years B10d = 320000 |
| Mounting position | Any position in relation to normal vertical mounting plane |
| Mounting support | 35 mm DIN rail conforming to IEC 60715 |
| Net weight | 0.068 kg |
| Time delay type | C |
| Functionality | Off-delay timing |
| Number of functions | 1 |
| Compatibility code | RE17 |

Environment

| | |
|---------------------------------------|--|
| Immunity to microbreaks | 20 ms |
| Derating factor | 5 mA/°C |
| Standards | 2004/108/EC IEC 61000-6-3 2006/95/EC IEC 61000-6-2 IEC 61812-1 IEC 61000-6-4 IEC 61000-6-1 |
| Product certifications | CSA[RETURN]JGL[RETURN]cULus |
| Ambient air temperature for storage | -30...60 °C |
| Ambient air temperature for operation | -20...60 °C |
| IP degree of protection | IP20 (terminal block) conforming to IEC 60529 IP40 (housing) conforming to IEC 60529 IP50 (front panel) conforming to IEC 60529 |
| Vibration resistance | 20 m/s ² (f= 10...150 Hz) conforming to IEC 60068-2-6 |
| Shock resistance | 15 gn for 11 ms conforming to IEC 60068-2-27 |
| Relative humidity | 93 % without condensation conforming to IEC 60068-2-30 |
| Electromagnetic compatibility | Electrostatic discharge immunity test: (in contact), level 3, 6 kV, conforming to IEC 61000-4-2 Electrostatic discharge immunity test: (in air), level 3, 8 kV, conforming to IEC 61000-4-2 Susceptibility to electromagnetic fields: (80 MHz to 1 GHz), level 3, 10 V/m, conforming to IEC 61000-4-3 Electrical fast transient/burst immunity test: (capacitive connecting clip), level 3, 1 kV, conforming to IEC 61000-4-4 Electrical fast transient/burst immunity test: (direct), level 3, 2 kV, conforming to IEC 61000-4-4 1.2/50 µs shock waves immunity test: (differential mode), level 3, 1 kV, conforming to IEC 61000-4-5 1.2/50 µs shock waves immunity test: (common mode), level 3, 2 kV, conforming to IEC 61000-4-5 Conducted RF disturbances: (0.15...80 MHz), level 3, 10 V, conforming to IEC 61000-4-6 Voltage dips and interruptions immunity test: (1 cycle), 0 %, conforming to IEC 61000-4-11 Voltage dips and interruptions immunity test: (25/30 cycles), 70 %, conforming to IEC 61000-4-11 Conducted and radiated emissions: , class B, conforming to EN 55022 |

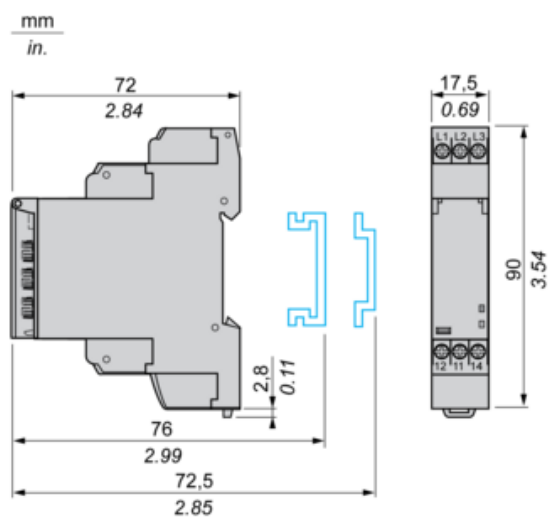
Packing Units

| | |
|------------------------------|----------|
| Unit Type of Package 1 | PCE |
| Number of Units in Package 1 | 1 |
| Package 1 Height | 2.7 cm |
| Package 1 Width | 7.8 cm |
| Package 1 Length | 9.5 cm |
| Package 1 Weight | 71.0 g |
| Unit Type of Package 2 | S02 |
| Number of Units in Package 2 | 40 |
| Package 2 Height | 15.0 cm |
| Package 2 Width | 30.0 cm |
| Package 2 Length | 40.0 cm |
| Package 2 Weight | 3.348 kg |

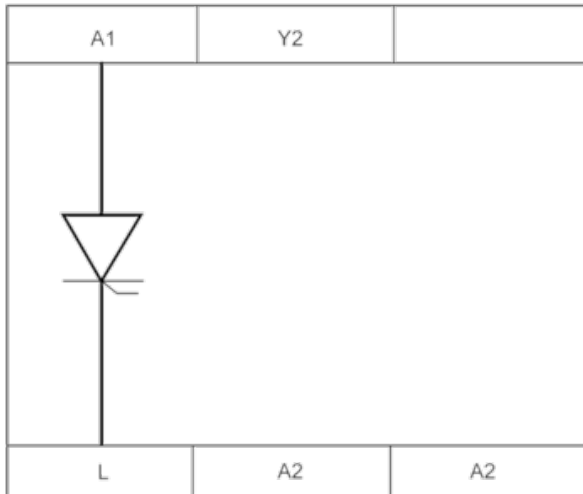
Offer Sustainability

| | |
|----------------------------|--|
| Sustainable offer status | Green Premium product |
| REACH Regulation | REACH Declaration |
| EU RoHS Directive | Pro-active compliance (Product out of EU RoHS legal scope) |
| Mercury free | Yes |
| China RoHS Regulation | China RoHS Declaration |
| RoHS exemption information | Yes |
| Environmental Disclosure | Product Environmental Profile |
| Circularity Profile | End Of Life Information |

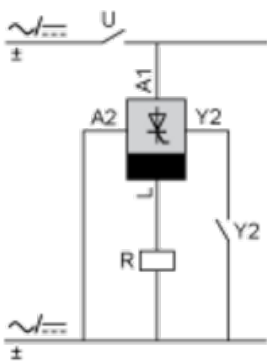
Width 17.5 mm



Internal Wiring Diagram



Wiring Diagram

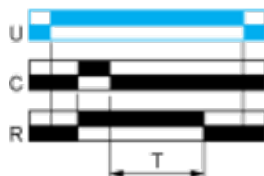


Function C : Off-Delay Relay with Control Signal

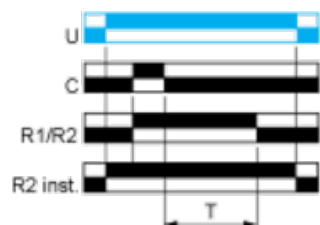
Description

After power-up and closing of the control contact C, the output R closes. When control contact C re-opens, timing T starts. At the end of the timing period, the output(s) R revert(s) to its/their initial state. The second output can be either timed or instantaneous.

Function: 1 Output



Function: 2 Outputs



2 timed outputs (R1/R2) or 1 timed output (R1) and 1 instantaneous output (R2 inst.)

Legend

Relay de-energised

Relay energised

 Output open

 Output closed

| | |
|----------|--|
| C | Control contact |
| G | Gate |
| R | Relay or solid state output |
| R1/R2 | 2 timed outputs |
| R2 inst. | The second output is instantaneous if the right position is selected |
| T | Timing period |
| Ta - | Adjustable On-delay |
| Tr - | Adjustable Off-delay |
| U | Supply |