

Product data sheet

Characteristics

REG24PUJ1LLU

Harmony Control Relays, Temperature Control Relay, REG - 24 x 48 mm - 24 V AC/DC - 1 solid state relay



Main

Range of product	Zelio Control
Product or component type	Modular measurement and control relays
Relay type	Temperature control relays
Product specific application	Packaging Industrial machines Heating or cooling HVAC
Relay name	REG

Complementary

Outer dimension	1/32 DIN 24 x 48 mm
Analogue input type	Current: 4...20 mA Voltage: 1...5 V
[Us] rated supply voltage	24 V AC/DC
Supply voltage limits	21.6...26.4 V
Measurement accuracy	0.5 % full scale
Sampling duration	500 ms
Number of outputs	1 solid state output
Output type	Solid state 24 V DC 20 mA
Power consumption in VA	8 VA at 24 V AC/DC
Communication port protocol	Modbus
Method of access	Slave
Transmission frame	RTU
Physical interface	RS485 non isolated
Exchange mode	Half duplex
Transmission rate	9600, 19200 kbit/s
Function available	Auto tuning PID Fuzzy logic Hysteresis on-off Ramp 8 steps
Marking	CE
Operating position	Any position
Display type	7 segments LCD
Display digits	4
Signalling function	Setpoint value indicator (SV) LED green Process output 1 active (C1) LED red Modbus alarm (AL2) LED Process value LCD display
Mounting support	Panel 35 mm symmetrical DIN rail

The information provided in this documentation contains general descriptions and/or technical characteristics of the performance of the products contained herein. This documentation is not intended as a substitute for and is not to be used for determining suitability or reliability of these products for specific user applications. It is the duty of any such user or integrator to perform the appropriate and complete risk analysis, evaluation and testing of the products with respect to the relevant specific application or use thereof. Neither Schneider Electric Industries SAS nor any of its affiliates or subsidiaries shall be responsible or liable for misuse of the information contained herein.

Environment

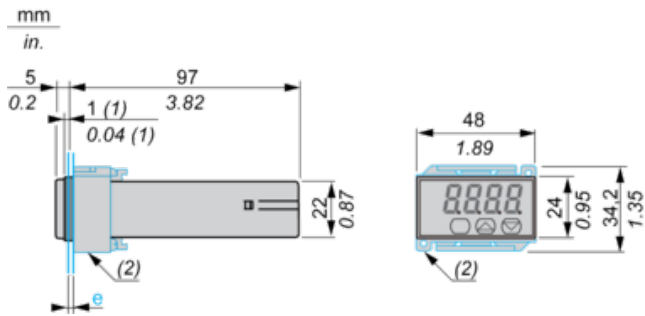
Standards	EN 61010-1 CSA C22.2 No 24-93 EN 61326-1
Product certifications	GOST[RETURN]cURus (873)
Ambient air temperature for storage	-20...60 °C
Ambient air temperature for operation	-10...50 °C
Relative humidity	90 % without condensation
Operating altitude	2000 m
Storage altitude	0...3000 m
Vibration resistance	1 gn (f= 10...70 Hz) conforming to IEC 60068-2-6
Shock resistance	5 gn conforming to IEC 60068-2-27
IP degree of protection	IP66 (front face) conforming to IEC 60529 IP20 (rear)
NEMA degree of protection	NEMA 4X front face

Contractual warranty

Warranty	18 months
----------	-----------

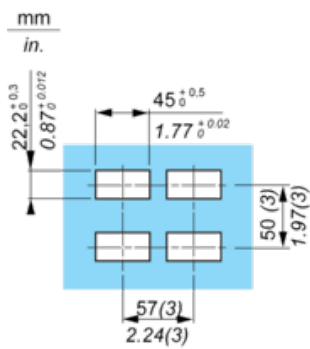
24 x 48 Size – 1/32 DIN Standard

Panel Mounting: Bracket Supplied



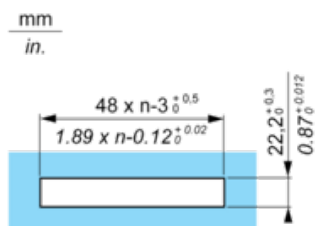
- (1) Seal
- (2) Fixing brackets supplied with REG temperature control relays.

Panel cut-out

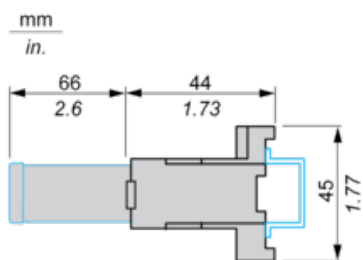


- (3) Minimum value.

Side stick mounting: n units (water-proof property lost in this case)



Mounting on DIN Rail with Accessory REG24PSOC



Temperature Control Relays

Wiring Diagram

