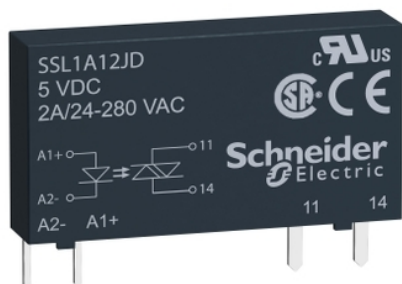


Product data sheet

Characteristics

SSL1A12JDR

Harmony Solid State Relays, Solid state slim relay, 2A, random switching, input 3...12V DC, output 24...280V AC



Main

Range of product	Harmony Solid State Relays
Product or component type	Solid state relay up to 10 A
Device short name	SSL
Network number of phases	1 phase
Output switching mode	Random voltage switching

Complementary

Mounting support	Socket
[In] rated current	2 A
Output voltage	24...280 V AC
[Uc] control circuit voltage	3...12 V DC
Capacitance unbalance	1.5 pF input/output
Minimum switching voltage	3 V DC turn-on
Maximum switching voltage	1 V DC turn-off
Input current limits	15 mA
Input impedance	333 kOhm
Solid state output type	Random voltage switching SCR output
Load current	0.07...2 A
Tansient Overvoltage	600 V AC
Surge current	120 A for 16.6 ms 115 A for 20 ms
Maximum voltage drop	<1.1 V on-state
Maximum I ² t for fusing	66 A ² .S for 10 ms at 50 Hz 60 A ² .s for 8.3 ms at 60 Hz
Maximum leakage current	4 mA off-state
DV/dt	500 V/μs off-state at maximum voltage
Response time	0.5 cycle (turn-off) 0.1 ms (turn-on)
Overvoltage category	III
Width	5 mm
Height	28 mm
Depth	15 mm
Net weight	0.0041 kg

The information provided in this documentation contains general descriptions and/or technical characteristics of the performance of the products contained herein. This documentation is not intended as a substitute for and is not to be used for determining suitability or reliability of these products for specific user applications. It is the duty of any such user or integrator to perform the appropriate and complete risk analysis, evaluation and testing of the products with respect to the relevant specific application or use thereof. Neither Schneider Electric Industries SAS nor any of its affiliates or subsidiaries shall be responsible or liable for misuse of the information contained herein.

Environment

Flame retardance	V0 conforming to UL 94
Dielectric strength	2500 V for input/output
Pollution degree	2
Product certifications	CSA UL
Marking	CE
Ambient air temperature for operation	-20...80 °C
Ambient air temperature for storage	-20...85 °C

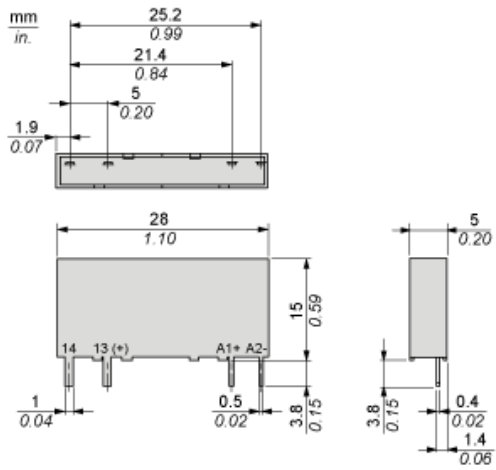
Packing Units

Unit Type of Package 1	PCE
Number of Units in Package 1	1
Package 1 Height	0.7 cm
Package 1 Width	2.5 cm
Package 1 Length	37 cm
Package 1 Weight	5 g
Unit Type of Package 2	BB1
Number of Units in Package 2	12
Package 2 Height	0.7 cm
Package 2 Width	2.5 cm
Package 2 Length	37 cm
Package 2 Weight	60 g
Unit Type of Package 3	S01
Number of Units in Package 3	1080
Package 3 Height	15 cm
Package 3 Width	15 cm
Package 3 Length	40 cm
Package 3 Weight	5.684 kg

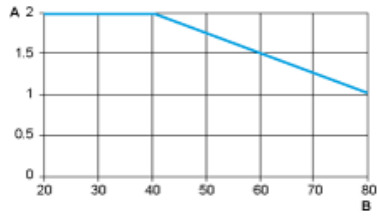
Offer Sustainability

Sustainable offer status	Green Premium product
REACH Regulation	REACH Declaration
REACH free of SVHC	Yes
EU RoHS Directive	Pro-active compliance (Product out of EU RoHS legal scope) EU RoHS Declaration
Mercury free	Yes
China RoHS Regulation	China RoHS Declaration
RoHS exemption information	Yes
Environmental Disclosure	Product Environmental Profile
Circularity Profile	End Of Life Information

Dimensions



Derating Curves



A : Load Current (Amperes)
B : Ambient Temperature (°C)