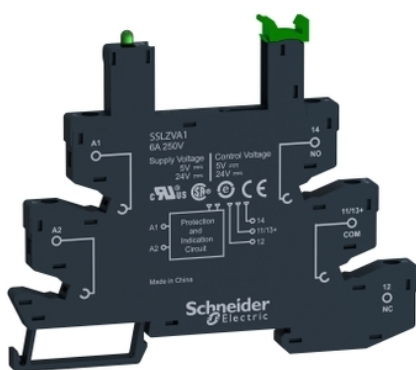


## Product data sheet

### Characteristics

# SSLZRA1

Harmony Solid State Relays, Socket equipped with LED and protection circuit, for SSL relays, spring terminals, 5 24V DC



### Main

Range of product	Harmony Solid State Relays
Product or component type	Socket for SSL1
Device short name	SSLZ
Sale per indivisible quantity	10

### Complementary

Contact terminal arrangement	Separate
Product compatibility	Solid state relay SSL with NO contact at 24 V DC Solid state relay SSL with NO contact at 5 V DC
Shape of pin	Flat
[Ith] conventional free air thermal current	6 A
[Ith] conventional free air thermal current	6 A
[Ue] rated operational voltage	< 250 V DC
Connections - terminals	Spring terminals, 1 x 0.2...1 x 1.5 mm <sup>2</sup> (AWG 24...AWG 16) solid without cable end Spring terminals, 1 x 0.2...1 x 1.5 mm <sup>2</sup> (AWG 24...AWG 16) flexible with cable end
Clamping force	10...40 N
Fixing mode	Clip-on (35 mm DIN rail)
Switching voltage	5 V DC 24 V DC
Local signalling	LED (green) for input status
Width	6.2 mm
Height	101 mm
Depth	78.6 mm
Net weight	0.0285 kg
[Uimp] rated impulse withstand voltage	3.6 kV
Overvoltage category	III
Pollution degree	3

### Environment

Flame retardance	V0 conforming to UL 94
Standards	IEC 61984
Product certifications	UL 508 CSA C22-2 No 14
Marking	CE
Ambient air temperature for storage	-40...85 °C
Ambient air temperature for operation	-40...70 °C

IP degree of protection	IP20
Dielectric strength	2500 V

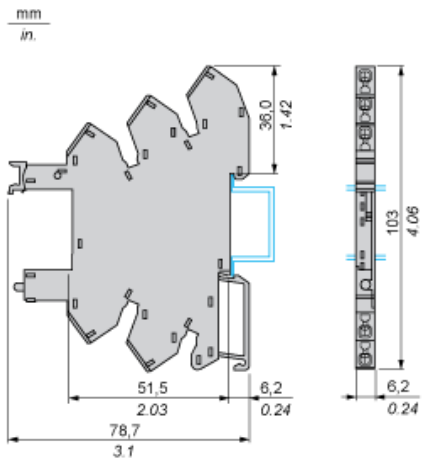
## Packing Units

Unit Type of Package 1	PCE
Number of Units in Package 1	1
Package 1 Height	0.6 cm
Package 1 Width	7.9 cm
Package 1 Length	9.6 cm
Package 1 Weight	23.5 g
Unit Type of Package 2	BB1
Number of Units in Package 2	10
Package 2 Height	7.1 cm
Package 2 Width	8.5 cm
Package 2 Length	10.7 cm
Package 2 Weight	0.263 kg
Unit Type of Package 3	S03
Number of Units in Package 3	300
Package 3 Height	30.0 cm
Package 3 Width	30.0 cm
Package 3 Length	40.0 cm
Package 3 Weight	9.3 kg

## Offer Sustainability

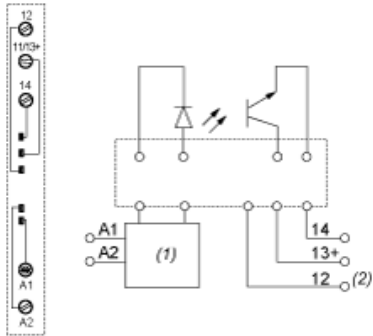
Sustainable offer status	Green Premium product
REACH Regulation	<a href="#">REACH Declaration</a>
REACH free of SVHC	Yes
EU RoHS Directive	Pro-active compliance (Product out of EU RoHS legal scope) <a href="#">EU RoHS Declaration</a>
Toxic heavy metal free	Yes
Mercury free	Yes
China RoHS Regulation	<a href="#">China RoHS Declaration</a>
RoHS exemption information	<a href="#">Yes</a>
Environmental Disclosure	<a href="#">Product Environmental Profile</a>
Circularity Profile	<a href="#">End Of Life Information</a>

Dimensions



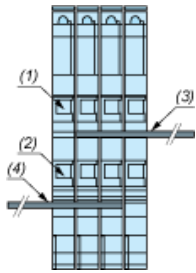
## Wiring Diagram

### Wiring Diagram for DC Output



- (1) Protection circuit
- (2) Terminal 12 is not in use for SSL Relay

### Example of RSLZ2 Bus Jumper Mounting on Sockets



- (1) A1
- (2) A2
- (3) Bus jumper polarity A1
- (4) Bus jumper polarity A2