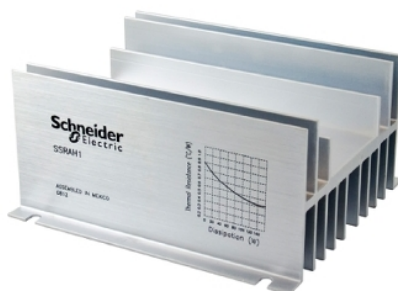


## Product data sheet

### Characteristics

# SSRAH1

Harmony Solid State Relays, Heat sink, for panel mounting relay - 0.7 °C/W - sale per 1



### Main

Range of product	Harmony Relay
------------------	---------------

### Complementary

Product compatibility	solid state relay SSR in 10 A on panel[RETURN] solid state relay SSR in 12 A on panel[RETURN] solid state relay SSR in 25 A on panel[RETURN] solid state relay SSR in 40 A on panel[RETURN] solid state relay SSR in 50 A on panel
Thermal resistance	0.7 °C/W
Mounting support	Panel
Sale per indivisible quantity	1
Net weight	28.592 kg

### Packing Units

Unit Type of Package 1	PCE
Number of Units in Package 1	1
Package 1 Height	8.5 cm
Package 1 Width	18.5 cm
Package 1 Length	14 cm
Package 1 Weight	679 g

### Contractual warranty

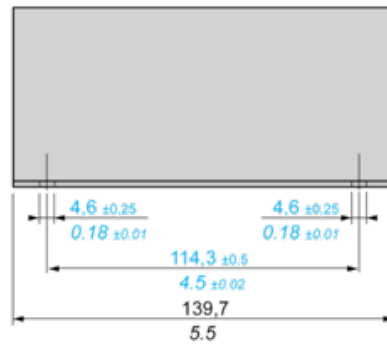
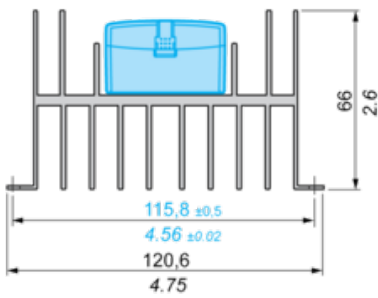
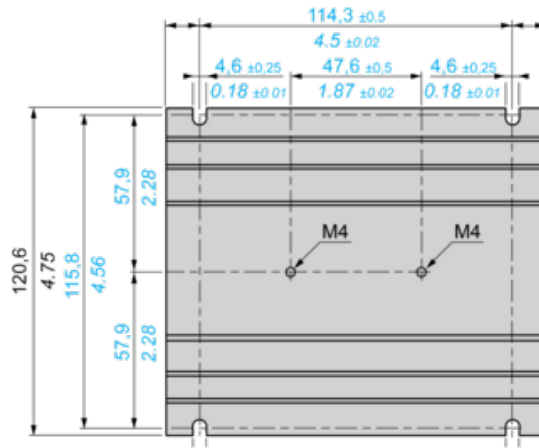
Warranty	18 months
----------	-----------

The information provided in this documentation contains general descriptions and/or technical characteristics of the performance of the products contained herein. This documentation is not intended as a substitute for and is not to be used for determining suitability or reliability of these products for specific user applications. It is the duty of any such user or integrator to perform the appropriate and complete risk analysis, evaluation and testing of the products with respect to the relevant specific application or use thereof. Neither Schneider Electric Industries SAS nor any of its affiliates or subsidiaries shall be responsible or liable for misuse of the information contained herein.

## Dimensions

### Panel Mounting

mm  
in.



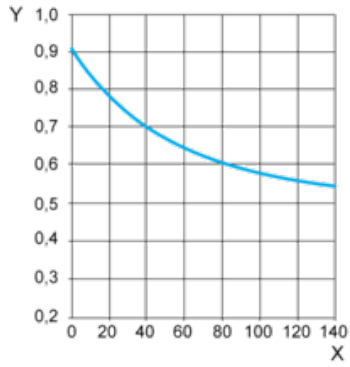
---

## Dissipation Curve

---

### Panel Mounting

Heat sink dissipation curve



X Dissipation (W)

Y Thermal resistance (°C/W)

Note : These are typical curves, actual durability depends on load, environment, duty cycle, etc.