

Product data sheet

Characteristics

ZB5AZ021

Harmony XB5, Flush mounting kit Ø30 for push buttons and pilot lights Ø22, plastic



Main

| | |
|---------------------------------------|--|
| Range of product | Harmony XB5 |
| Product or component type | Flush mounting kit |
| Accessory / separate part category | Mounting and fixing accessory |
| Product compatibility | ZB5AV XB5EV XB7EV XB7NL ZB5AL XB7NA ZB5AA flush ZB5AH flush XB7NJ XB7NG XB7ND XB7NW |
| Accessory / separate part destination | Pilot light Push-button |

Complementary

| | |
|-------------------------|--|
| Colour | Black |
| IP degree of protection | IP66 (front face) conforming to IEC 60529 IP69 (front face) conforming to IEC 60529 IP69K (front face) conforming to DIN 40050-9 |
| IK degree of protection | IK03 conforming to IEC 50102 |
| Mounting diameter | 30.5 mm |
| Quantity per set | Set of 1 |

Packing Units

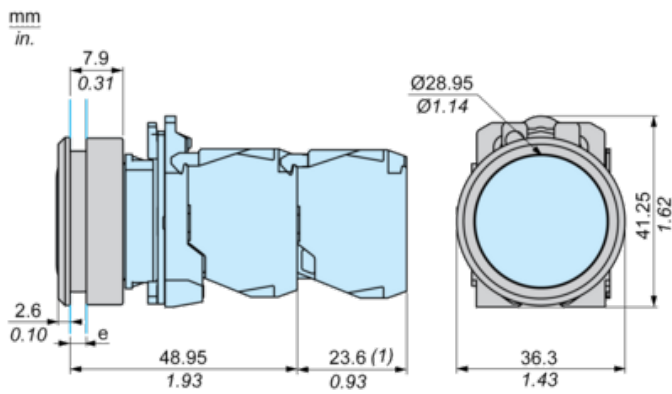
| | |
|------------------------------|----------|
| Unit Type of Package 1 | PCE |
| Number of Units in Package 1 | 1 |
| Package 1 Height | 5.2 cm |
| Package 1 Width | 4.3 cm |
| Package 1 Length | 5.5 cm |
| Package 1 Weight | 15 g |
| Unit Type of Package 2 | S02 |
| Number of Units in Package 2 | 80 |
| Package 2 Height | 15 cm |
| Package 2 Width | 30 cm |
| Package 2 Length | 40 cm |
| Package 2 Weight | 1.509 kg |

The information provided in this documentation contains general descriptions and/or technical characteristics of the performance of the products contained herein. This documentation is not intended as a substitute for and is not to be used for determining suitability or reliability of these products for specific user applications. It is the duty of any such user or integrator to perform the appropriate and complete risk analysis, evaluation and testing of the products with respect to the relevant specific application or use thereof. Neither Schneider Electric Industries SAS nor any of its affiliates or subsidiaries shall be responsible or liable for misuse of the information contained herein.

Offer Sustainability

| | |
|----------------------------|---|
| REACH Regulation | REACH Declaration |
| REACH free of SVHC | Yes |
| EU RoHS Directive | Compliant EU RoHS Declaration |
| Toxic heavy metal free | Yes |
| Mercury free | Yes |
| China RoHS Regulation | China RoHS Declaration |
| RoHS exemption information | Yes |
| WEEE | The product must be disposed on European Union markets following specific waste collection and never end up in rubbish bins |

Dimensions with Flush Mounting Kit



e : Clamping thickness : 1 to 3.5 mm / 0.04 to 0.14 in.

(1) Additional row of contacts or double contact

Panel Cut-Out and Mounting

