

Product data sheet

Characteristics

ZB5AZ022

Harmony XB5, Flush mounting kit Ø30 for selector switches and illuminated push buttons Ø22, plastic



Main

Range of product	Harmony XB5
Product or component type	Flush mounting kit
Accessory / separate part category	Mounting and fixing accessory
Product compatibility	ZB5AD ZB5RTA ZB5AD.8 ZB5RZA0 ZB5AK ZB5AA.6 ZB5AD.9 ZB5AJ ZB5AW ZB5AH..3
Accessory / separate part destination	Selector switch with high bezel and high guard Illuminated push-button with high bezel and high guard

Complementary

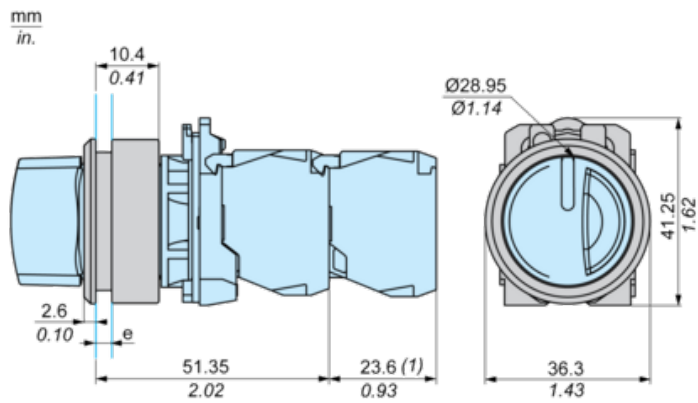
Colour	Black
IP degree of protection	IP66 (front face) conforming to IEC 60529 IP69 (front face) conforming to IEC 60529 IP69K (front face) conforming to DIN 40050-9
IK degree of protection	IK03 conforming to IEC 50102
Mounting diameter	30.5 mm
Quantity per set	Set of 1

Packing Units

Unit Type of Package 1	PCE
Number of Units in Package 1	1
Package 1 Height	5.2 cm
Package 1 Width	5.5 cm
Package 1 Length	5.7 cm
Package 1 Weight	15.0 g
Unit Type of Package 2	S02
Number of Units in Package 2	80
Package 2 Height	15.0 cm
Package 2 Width	30.0 cm
Package 2 Length	40.0 cm
Package 2 Weight	1.622 kg

The information provided in this documentation contains general descriptions and/or technical characteristics of the performance of the products contained herein. This documentation is not intended as a substitute for and is not to be used for determining suitability or reliability of these products for specific user applications. It is the duty of any such user or integrator to perform the appropriate and complete risk analysis, evaluation and testing of the products with respect to the relevant specific application or use thereof. Neither Schneider Electric Industries SAS nor any of its affiliates or subsidiaries shall be responsible or liable for misuse of the information contained herein.

Dimensions with Flush Mounting Kit



e : Clamping thickness : 1 to 3.5 mm / 0.04 to 0.14 in.

(1) Additional row of contacts or double contact

Panel Cut-Out and Mounting

