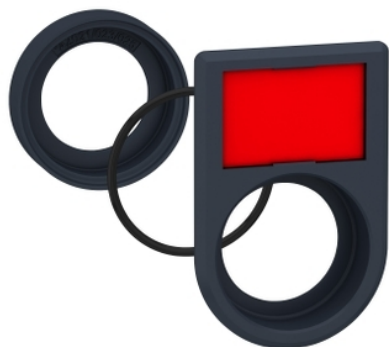


## Product data sheet

### Characteristics

# ZB5AZ025

Harmony XB5, Flush mounting kit Ø30 for push buttons and pilot lights Ø22, plastic, 2-line legend



### Main

Range of product	Harmony XB5
Product or component type	Flush mounting kit
Accessory / separate part category	Mounting and fixing accessory
Product compatibility	XB7NL XB7EV XB5EV XB7ND XB7NG ZB5AA XB7NW XB7NJ ZB5AH ZB5AV ZB5AL XB7NA
Accessory / separate part destination	Pilot light Push-button

### Complementary

Colour	Black
IP degree of protection	IP66 (front face) conforming to IEC 60529 IP69 (front face) conforming to IEC 60529 IP69K (front face) conforming to DIN 40050-9
IK degree of protection	IK03 conforming to IEC 50102
Mounting diameter	30.5 mm
Quantity per set	Set of 1

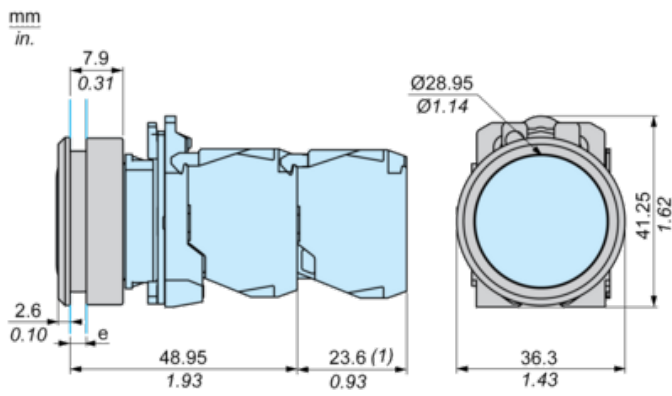
### Packing Units

Unit Type of Package 1	PCE
Number of Units in Package 1	1
Package 1 Height	5.6 cm
Package 1 Width	4.3 cm
Package 1 Length	5.2 cm
Package 1 Weight	17 g
Unit Type of Package 2	S02
Number of Units in Package 2	80
Package 2 Height	15 cm
Package 2 Width	30 cm
Package 2 Length	40 cm
Package 2 Weight	1.66 kg

## Offer Sustainability

REACH Regulation	<a href="#">REACH Declaration</a>
REACH free of SVHC	Yes
EU RoHS Directive	Compliant <a href="#">EU RoHS Declaration</a>
Toxic heavy metal free	Yes
Mercury free	Yes
China RoHS Regulation	<a href="#">China RoHS Declaration</a>
RoHS exemption information	<a href="#">Yes</a>
WEEE	The product must be disposed on European Union markets following specific waste collection and never end up in rubbish bins

Dimensions with Flush Mounting Kit



e : Clamping thickness : 1 to 3.5 mm / 0.04 to 0.14 in.

(1) Additional row of contacts or double contact

---

Panel Cut-Out and Mounting

---

