

## Product data sheet

### Characteristics

# ZBRP1

## Harmony XB5R, Rope pull switch, Wireless and batteryless transmitter, plastic black



### Main

Range of product	Harmony XB5R
Product or component type	Wireless and batteryless transmitter
Device short name	ZBRP1
Bezel material	Plastic
Transmission frequency	2405 MHz
Emission class	5M00G7W
Antenna type	Omnidirectional

### Complementary

Number of channels	1
Antenna gain	0 dBi
CAD overall height	144 mm
CAD overall width	56 mm
CAD overall depth	38 mm
Net weight	0.15 kg
Mechanical robustness	Free fall resistance 1 m conforming to EN/IEC 60068-2-31
Standards	UL 508 EN/IEC 60947-1 EN/IEC 62479 EN/IEC 60947-5-1 EN/IEC 300328
Radio agreement	ICASA GITEKI
Communication port protocol	Zigbee green power at 2.4 GHz conforming to IEEE 802.15.4
Maximum sensing distance	100 m in free field
Emission power	3 mW
Fixing mode	By screw: 1.8...2.2 N.m
Mounting mode	Between 2 ropes Panel mount with universal support
Operating position	Any position

### Environment

Ambient air temperature for storage	-40...70 °C
Ambient air temperature for operation	-25...70 °C
Relative humidity	95 % without condensation
IP degree of protection	IP65 conforming to IEC 62262
NEMA degree of protection	NEMA 4
IK degree of protection	IK05 conforming to IEC 62262
Mechanical durability	1000000 cycles

Electromagnetic compatibility	Electrostatic discharge immunity test - test level: 8 kV (in free air (in insulating parts)) Susceptibility to electromagnetic fields - test level: 10 V/m (80...2000 MHz) Susceptibility to electromagnetic fields - test level: 6 V/m (2000...6000 MHz)
Product certifications	UL[RETURN]GOST[RETURN]CE[RETURN]RCM[RETURN]ANATEL[RETURN]FCC[RETURN]JUK

## Packing Units

Unit Type of Package 1	PCE
Number of Units in Package 1	1
Package 1 Height	6.700 cm
Package 1 Width	6.500 cm
Package 1 Length	16.500 cm
Package 1 Weight	172.000 g
Unit Type of Package 2	S03
Number of Units in Package 2	32
Package 2 Height	30.000 cm
Package 2 Width	30.000 cm
Package 2 Length	40.000 cm
Package 2 Weight	6.259 kg

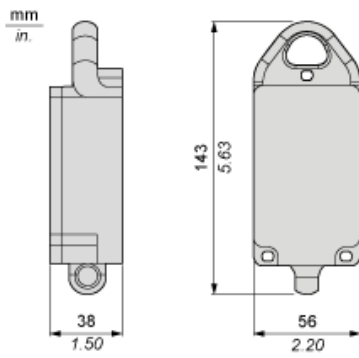
## Offer Sustainability

Sustainable offer status	Green Premium product
REACH Regulation	<a href="#">REACH Declaration</a>
EU RoHS Directive	Pro-active compliance (Product out of EU RoHS legal scope)
Mercury free	Yes
China RoHS Regulation	<a href="#">China RoHS Declaration</a>
RoHS exemption information	<a href="#">Yes</a>
Environmental Disclosure	<a href="#">Product Environmental Profile</a>
Circularity Profile	<a href="#">End Of Life Information</a>
WEEE	The product must be disposed on European Union markets following specific waste collection and never end up in rubbish bins

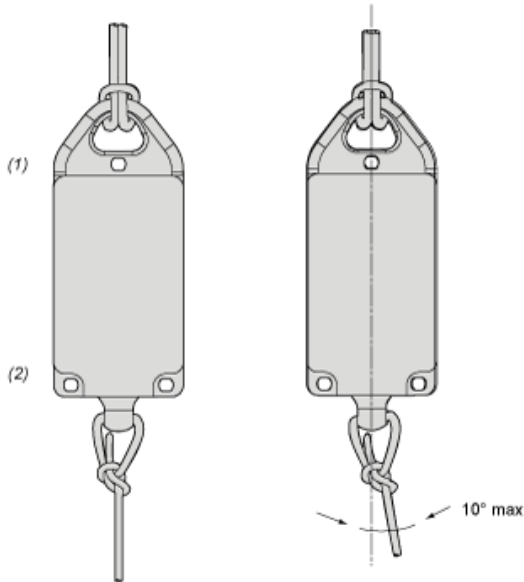
## Contractual warranty

Warranty	18 months
----------	-----------

Wireless and Batteryless Rope Pull Switch Transmitter

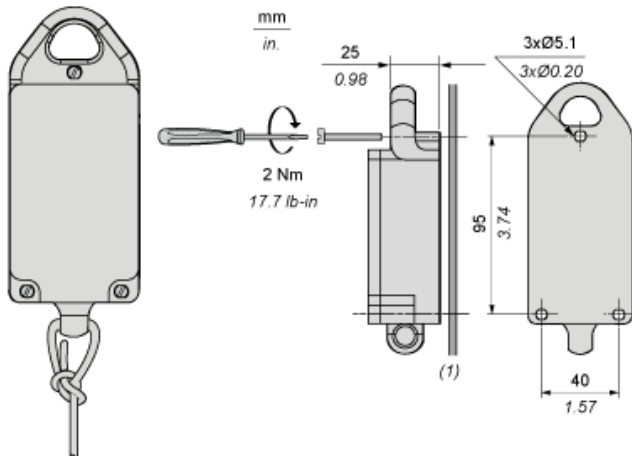


Transmitter Mounting



- (1) HIGH
- (2) BOTTOM

Transmitter Mounting on Flat Surface



- (1) Installation on flat surface