

### Main

Range of product	Modicon ABE7
Product or component type	Connection sub-base for counter and analogue channels
Number of channels	8
Connections - terminals	Screw type terminals, 1 x 0.09...1 x 1.5 mm <sup>2</sup> (AWG 28...AWG 16) flexible with cable end Screw type terminals, 1 x 0.14...1 x 2.5 mm <sup>2</sup> (AWG 26...AWG 12) solid Screw type terminals, 1 x 0.14...1 x 2.5 mm <sup>2</sup> (AWG 26...AWG 14) flexible without cable end Screw type terminals, 2 x 0.09...2 x 0.75 mm <sup>2</sup> (AWG 28...AWG 20) flexible with cable end Screw type terminals, 2 x 0.2...2 x 2.5 mm <sup>2</sup> (AWG 24...AWG 14) solid

### Complementary

Function of module	Analogue input current, compatible with Premium Analogue input voltage, compatible with Premium Pt 100, compatible with Premium
Connection to PLC	SUB-D 25
Fixing mode	By clips (35 mm symmetrical DIN rail) By screws (solid plate with fixing kit)
[UI] rated insulation voltage	2000 V terminals/mounting rails
Installation category	II conforming to IEC 60664-1
Tightening torque	0.6 N.m with flat Ø 3.5 mm screwdriver
Net weight	0.29 kg

### Environment

Product certifications	GL[RETURN]DNV[RETURN]UL[RETURN]CSA[RETURN]EAC
IP degree of protection	IP20 conforming to IEC 60529
Protective treatment	TC
Resistance to incandescent wire	750 °C, extinction time <30 s conforming to IEC 60695-2-11
Shock resistance	15 gn for 11 ms conforming to IEC 60068-2-27
Vibration resistance	2 gn (f= 10...150 Hz) conforming to IEC 60068-2-6
Resistance to electrostatic discharge	4 kV (contact) level 3 conforming to IEC 61000-4-2 8 kV (air) level 3 conforming to IEC 61000-4-2
Resistance to radiated fields	10 V/m (26000000...1000000000 Hz) conforming to IEC 61000-4-3 level 3
Resistance to fast transients	2 kV level 3 conforming to IEC 61000-4-4
Ambient air temperature for operation	0...60 °C conforming to IEC 61131-2
Ambient air temperature for storage	-40...80 °C conforming to IEC 61131-2
Pollution degree	2 conforming to IEC 60664-1

### Packing Units

Unit Type of Package 1	PCE
Number of Units in Package 1	1
Package 1 Height	7.100 cm
Package 1 Width	8.200 cm
Package 1 Length	13.600 cm
Package 1 Weight	301.000 g

Unit Type of Package 2	S03
Number of Units in Package 2	27
Package 2 Height	30.000 cm
Package 2 Width	30.000 cm
Package 2 Length	40.000 cm
Package 2 Weight	8.683 kg

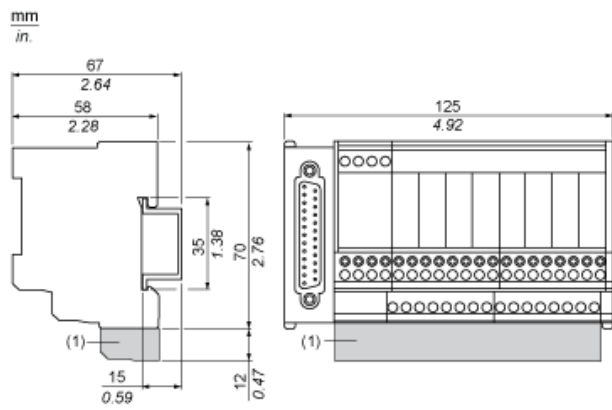
### Offer Sustainability

Sustainable offer status	Green Premium product
REACH Regulation	<a href="#">REACH Declaration</a>
EU RoHS Directive	Pro-active compliance (Product out of EU RoHS legal scope)
Mercury free	Yes
China RoHS Regulation	<a href="#">China RoHS Declaration</a>
RoHS exemption information	<a href="#">Yes</a>
Environmental Disclosure	<a href="#">Product Environmental Profile</a>
Circularity Profile	<a href="#">End Of Life Information</a>
WEEE	The product must be disposed on European Union markets following specific waste collection and never end up in rubbish bins

### Contractual warranty

Warranty	18 months
----------	-----------

Dimensions

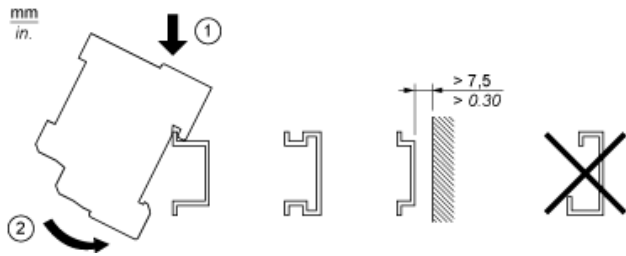


(1) ABE7BV20 / ABE7BV20E

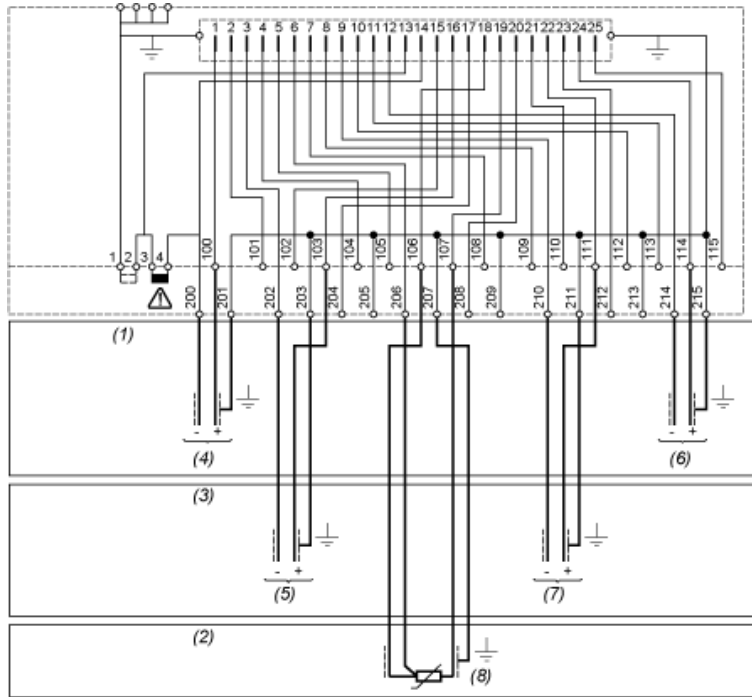
---

Mounting

---



Wiring Diagram



TSX AEY 1600/800  
TSX AEY 420  
IRA 1600  
AEM 160●  
TSX ASY 800

IXA 1600  
AEM 8●●

● AEM 1613

TSX AEY 810

- (1) 8 input voltage - 8 output voltage
- (2) 8 input probe PT100
- (3) 8 input current - 8 output current
- (4) Channel via 1
- (5) Channel via 2
- (6) Channel via 8
- (7) Channel via 6
- (8) Channel via 4