



Main

Range of product	Easy Lexium 26
Product or component type	Motion servo drive
Device short name	LXM26D
Format of the drive	Compact housing
Line current	3.8 A 211.6 % at 220 V, single phase 3.8 A 183.7 % at 220 V, three phase

Complementary

Network number of phases	Single phase Three phase
[Us] rated supply voltage	220 V (- 10...15 %) for three phase 220 V (- 20...15 %) for single phase
Supply voltage limits	200...255 V three phase 170...255 V single phase
Supply frequency	50/60 Hz - 5...5 %
Network frequency	47.5...63 Hz
Continuous output current	2.6 A at 16 kHz
Output current 3s peak	7.8 A at 220 V
Continuous power	400 W at 220 V
Nominal power	0.4 kW at 220 V 16 kHz
Switching frequency	16 kHz
Overvoltage category	III
Maximum leakage current	1.3 mA
Output voltage	<= power supply voltage
Electrical isolation	Between power and control
Type of cable	Twisted shielded pairs cable (single or double) (temperature: 0...55 °C)
Electrical connection	Spring terminal, clamping capacity: 0.82...1 mm ² , AWG 18 (L1-L2) Spring terminal, clamping capacity: 0.82...1 mm ² , AWG 18 (R, S, T) Spring terminal, clamping capacity: 0.82...1 mm ² , AWG 18 (U, V, W, PE) Spring terminal, clamping capacity: 0.82...1 mm ² , AWG 18 (PA/+, PBe)
Tightening torque	PE (ground): 1.4 N.m
Discrete input number	8 programmable (CN1) 1 pulse train input (PTI) (CN1) 2 fast capture (CN1)
Discrete input voltage	24 V DC for logic
Discrete input logic	Positive or negative (CN1)
Discrete output number	5 1
Discrete output type	Logic (CN1) at 12...24 V DC Pulse train output (PTO) (CN1)
Discrete output voltage	12...24 V DC
Discrete output logic	Positive or negative (CN1)
Analogue input number	2
Absolute accuracy error	0.1 %
Analogue input type	V_REF voltage analog input: - 10...10 V, impedance: 10 kOhm, resolution: 12 bits T_REF voltage analog input

Control signal type	Servo motor encoder feedback CN2
Protection type	Against reverse polarity: inputs signal Against short-circuits: outputs signal Overcurrent: motor Overvoltage: motor Undervoltage: motor Overheating: motor Overload: motor Overspeed: motor
Physical interface	RS485 for Modbus Serial line slave
Status LED	1 LED (red) charge
Signalling function	Servo status and fault codes five 7-segment display units
Marking	CE CULus CSA
Type of cooling	Natural convection
Operating position	Vertical
Product compatibility	Servo motor BCH2 (60 mm, 2 motor stacks) Servo motor BCH2 (80 mm, 1 motor stacks) Servo motor BCH2 (130 mm, 1 motor stacks)
Width	55 mm
Height	150 mm
Depth	146 mm
Net weight	1 kg

Environment

EMC filter	Without EMC filter
Electromagnetic compatibility	Conducted emission - test level: level 3 category C3 conforming to EN/IEC 61800-3
Standards	EN/IEC 61800-5-1
Product certifications	CSA CULus CE
IP degree of protection	IP20
Vibration resistance	3M4 amplitude = 3 mm (f = 9...200 Hz) conforming to IEC 60721-3-3
Shock resistance	10 gn, type I conforming to IEC 60068-2-27
Relative humidity	5...95 % without condensation
Ambient air temperature for operation	0...55 °C
Ambient air temperature for storage	-25...65 °C
Operating altitude	<= 1000 m without derating > 1000...2000 m 1 % per 100 m

Packing Units

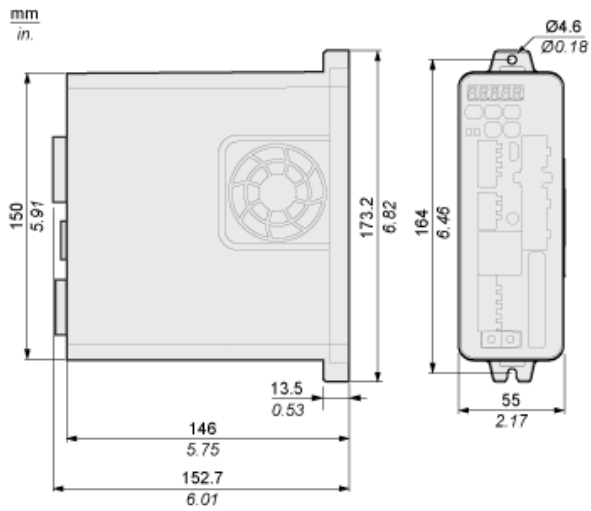
Unit Type of Package 1	PCE
Number of Units in Package 1	1
Package 1 Weight	1.3 kg
Package 1 Height	7.498 cm
Package 1 width	22.924 cm
Package 1 Length	23.602 cm
Unit Type of Package 2	S03
Number of Units in Package 2	5
Package 2 Weight	7.151 kg
Package 2 Height	30.0 cm
Package 2 width	29.9 cm
Package 2 Length	39.8 cm

Offer Sustainability

REACH Regulation	REACH Declaration
REACH free of SVHC	Yes
EU RoHS Directive	Pro-active compliance (Product out of EU RoHS legal scope) EU RoHS Declaration
Mercury free	Yes
RoHS exemption information	Yes
China RoHS Regulation	China RoHS Declaration
WEEE	The product must be disposed on European Union markets following specific waste collection and never end up in rubbish bins
PVC free	Yes

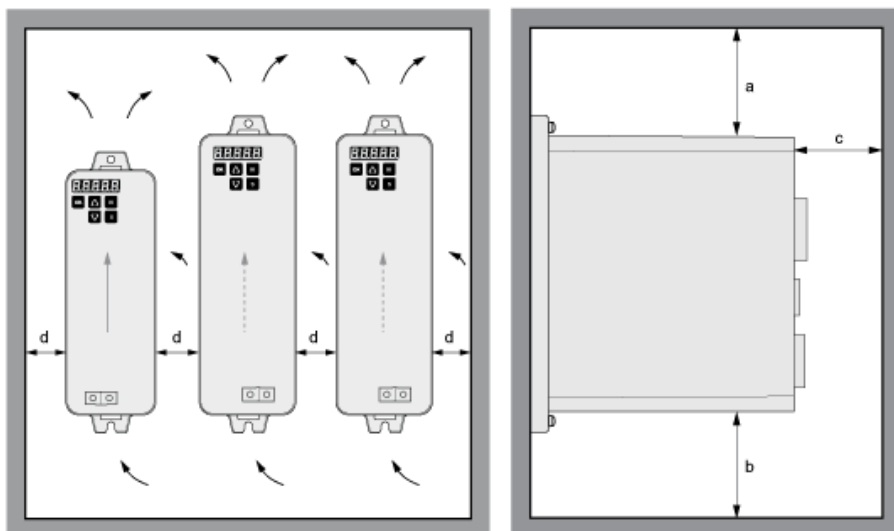
Dimensions

Servo Drive Dimensions



Mounting and Clearance

Clearance



Distance	Unit	Value
Free space a above the device	mm (in)	≥ 50 ≥ 1.97
Free space b below the device	mm (in)	≥ 50 ≥ 1.97
Free space c in front of the device ⁽¹⁾	mm (in)	≥ 60 ≥ 2.36
Free space d between devices	mm (in)	≥ 15 ≥ 0.59