



## Teknisk informasjon

Produktspekter	Harmony XB4
Produkt eller type komponent	Hode for trykknapper uten lys
Kortnavn utstyr	ZB4
Innfatningsmateriale	Forkrommet metall
Montasjediameter	22 mm
Salg per udelelig kvantitet	1
Hode type	Standard
Formen på varslingsenhetens hode	Rund
Type arm/stempel	fjærretur
Operatørprofil	Gul sopknapp Ø 40 mm, umerket

## Komplementær

Bredde	40 mm
Høyde	40 mm
Dybde	52 mm
Mekanisk levetid	5000000 sykluser
Elektrisk sammensetningskode	C1 for <9 kontakter bruker Enkel blokker i frontmontering C2 for <9 kontakter bruker enkel og dobbel blokker i frontmontering C11 for <3 kontakter bruker Enkel blokker i frontmontering C15 for <1 kontakter bruker Enkel blokker i frontmontering
Enhetens utseende	Basic element

## Miljø

Overflatebeskyttelse	TH
Omgivelsestemperatur for lagring	-40...70 °C
Omgivelsestemperatur drift	-40...70 °C
Overspenningskategori	Klasse I i samsvar med IEC 60536
IP-grad	IP66 i samsvar med IEC 60529 IP69 IP69K
NEMA beskyttelsesgrad	NEMA 13 NEMA 4X
IK beskyttelsesklasse	IK06 i samsvar med IEC 50102
Standarder	UL 508 EN/IEC 60947-5-5 CSA C22.2 No 14 EN/IEC 60947-5-4 EN/IEC 60947-5-1 EN/IEC 60947-1 JIS C8201-5-1 JIS C8201-1
Produktsertifikater	CSA LROS (Lloyds register of shipping) GL UL listet BV DNV

Vibrasjonsmotstand	5 gn (f= 2...500 Hz) i samsvar med IEC 60068-2-6
Støtmotstand	30 gn (varighet = 18 ms) for halvsinusurve akselerasjon i samsvar med IEC 60068-2-27 50 gn (varighet = 11 ms) for halvsinusurve akselerasjon i samsvar med IEC 60068-2-27

## Forpakkingsinformasjon

Enhetstype pakke 1	PCE
Antall enheter i pakke 1	1
Pakke 1 Høyde	8,8 cm
Pakke 1 Bredde	4,4 cm
Pakke 1 Vekt	5,4 cm
Package 1 Weight	77,0 g
Enhetstype pakke 2	S02
Antall enheter i pakke 2	42
Pakke 2 Høyde	15,0 cm
Pakke 2 Bredde	30,0 cm
Pakke 2 Lengde	40,0 cm
Pakke 2 Vekt	3,593 kg

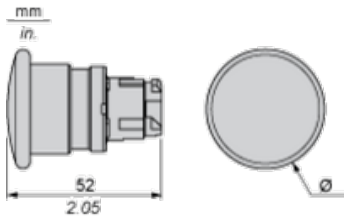
## Bærekraftig

Produktets miljøstatus	Green Premium miljømerket produkt
REACH-regelverk	<a href="#">REACH-erklæring</a>
REACH fri for SVHC	Ja
EU RoHS-direktiv	Proaktivt i samsvar (Produktet inngår ikke i EUs RoHS direktivet) <a href="#">EU RoHS-erklæring</a>
Fri for giftige tungmetaller	Ja
Kvikksølvfri	Ja
Kinas RoHS-forskrift	<a href="#">Kinas RoHS-Erklæring</a>
Informasjon om RoHS-unntak	<a href="#">Ja</a>
Miljøinformasjon	<a href="#">Produktmiljøprofil</a>
Produktets livssyklus	<a href="#">Informasjon Om Levetidsslutt</a>

## Garantiperiode

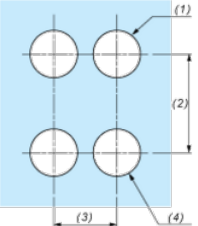
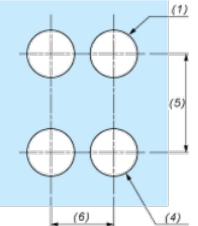
Garanti	18 months
---------	-----------

## Dimensions



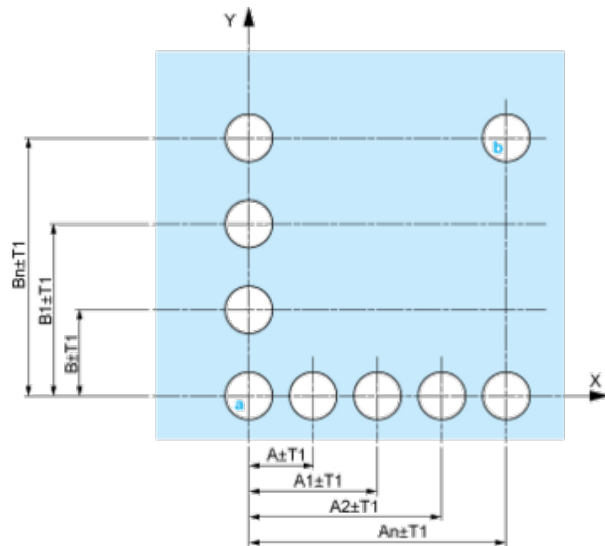
	$\varnothing$ in mm	$\varnothing$ in in.
ZB4BC•	40	1.57
ZB4BR•	60	2.36

Panel Cut-out for Pushbuttons, Switches and Pilot Lights (Finished Holes, Ready for Installation)

Connection by Screw Clamp Terminals or Plug-in Connectors or on Printed Circuit Board	Connection by Faston Connectors
	
<p>(1) Diameter on finished panel or support                  (2) 40 mm min. / 1.57 in. min.                  (3) 30 mm min. / 1.18 in. min.                  (4) <math>\varnothing 22.5</math> mm / 0.89 in. recommended (<math>\varnothing 22.3</math> mm <math>_0^{+0.4}</math> / 0.88 in. <math>_0^{+0.016}</math>)                  (5) 45 mm min. / 1.78 in. min.                  (6) 32 mm min. / 1.26 in. min.</p>	

Pushbuttons, Switches and Pilot Lights for Printed Circuit Board Connection

Panel Cut-outs (Viewed from Installer's Side)



- A: 30 mm min. / 1.18 in. min.
- B: 40 mm min. / 1.57 in. min.

Printed Circuit Board Cut-outs (Viewed from Electrical Block Side)

Dimensions in mm



A: 30 mm min.  
 B: 40 mm min.  
 Dimensions in in.



A: 1.18 in. min.  
 B: 1.57 in. min.

### General Tolerances of the Panel and Printed Circuit Board

The cumulative tolerance must not exceed 0.3 mm / 0.012 in:  $T1 + T2 = 0.3 \text{ mm max.}$

### Installation Precautions

- Minimum thickness of circuit board: 1.6 mm / 0.06 in.
- Cut-out diameter: 22.4 mm  $\pm$  0.1 / 0.88 in.  $\pm$  0.004
- Orientation of body/fixing collar ZB4 BZ009:  $\pm 2^\circ 30'$  (excluding cut-outs marked a and b).
- Tightening torque of screws ZBZ 006: 0.6 N.m (5.3 lbf.in) max.
- Allow for one ZB4 BZ079 fixing collar/pillar and its fixing screws:
  - every 90 mm / 3.54 in. horizontally (X), and 120 mm / 4.72 in. vertically (Y).
  - with each selector switch head (ZB4 BD•, ZB4 BJ•, ZB4 BG•).

The fixing centers marked a and b are diagonally opposed and must align with those marked 4 and 5.



(1) Panel

(2) Printed circuit board

### Mounting of Adapter (Socket) ZBZ 01\*

- 1 2 elongated holes for ZBZ 006 screw access
- 2 1 hole  $\varnothing 2.4 \text{ mm} \pm 0.05 / 0.09 \text{ in.} \pm 0.002$  for centring adapter ZBZ 01\*
- 3 8 ×  $\varnothing 1.2 \text{ mm} / 0.05 \text{ in.}$  holes
- 4 1 hole  $\varnothing 2.9 \text{ mm} \pm 0.05 / 0.11 \text{ in.} \pm 0.002$ , for aligning the printed circuit board (with cut-out marked a)
- 5 1 elongated hole for aligning the printed circuit board (with cut-out marked b)
- 6 4 holes  $\varnothing 2.4 \text{ mm} / 0.09 \text{ in.}$  for clipping in adapter ZBZ 01\*

Dimensions An + 18.1 relate to the  $\varnothing 2.4 \text{ mm} \pm 0.05 / 0.09 \text{ in.} \pm 0.002$  holes for centring adapter ZBZ 01\*.

---

Electrical Composition Corresponding to Code C1

---



---

Electrical Composition Corresponding to Code C2

---

---

Electrical Composition Corresponding to Codes C9, C11, SF1 and SR1

---

---

Electrical Composition Corresponding to Code C15

---

1 N/O

1 N/C

1 N/O + N/C or 1 N/O + N/O or 1 N/C + N/C

---

Legend

---

Single contact

Double contact

Light block

Possible location

