



Teknisk informasjon

Produktspekter	Harmony XB5
Produkt eller type komponent	Hode for nøkkelsvithode
Kortnavn utstyr	ZB5
Innfatningsmateriale	Dark grey plastic
Montasjediameter	22 mm
Hode type	Standard
Salg per udelelig kvantitet	1
Formen på varslingsenhetens hode	Rund
Type arm/stempel	fast
Operatørprofil	Sort nøkkelbryter
Informasjon om knappens stilling	3 posisjoner +/- 45°
Type nøkkellås	Key 455
Nøkkel uttrekksposisjon	VENSTRE

Komplementær

Bredde	29 mm
Høyde	29 mm
Dybde	72 mm
Vekt	0,057 kg
Mekanisk levetid	1000000 sykluser
Stasjonsnavn	XALD 1...5 hull XALK 2...5 hull
Elektrisk sammensetningskode	C4 for <6 kontakter bruker enkel og dobbel blokker i frontmontering C5 for <5 kontakter bruker Enkel blokker i frontmontering C6 for <5 kontakter bruker enkel og dobbel blokker i frontmontering C7 for <4 kontakter bruker Enkel blokker i frontmontering C8 for <4 kontakter bruker enkel og dobbel blokker i frontmontering C11 for <3 kontakter bruker Enkel blokker i frontmontering C3 for <6 kontakter bruker Enkel blokker i frontmontering SF1 for <3 kontakter bruker Enkel blokker i frontmontering SR1 for <3 kontakter bruker Enkel blokker i bakmontering
Enhetens utseende	Basic element

Miljø

Overflatebeskyttelse	TH
Omgivelsestemperatur for lagring	-40...70 °C
Omgivelsestemperatur drift	-40...70 °C
Overspenningskategori	Klasse II i samsvar med IEC 60536
IP-grad	IP66 i samsvar med IEC 60529 IP67 IP69 IP69K
NEMA beskyttelsesgrad	NEMA 13 NEMA 4X
Resistens til høytrykksvask	7000000 Pa på 55 °C, distanse : 0.1 m
Ik beskyttelsesklasse	IK06 conforming to IEC 50102

Standarder	UL 508 CSA C22.2 No 14 IEC 60947-5-1 IEC 60947-1 JIS C8201-5-1 IEC 60947-5-4 JIS C8201-1
Produktsertifikater	LROS (Lloyds register of shipping)[RETURN]DNV[RETURN]UL listet[RETURN]CSA[RETURN]BV[RETURN]GL
Vibrasjonsmotstand	5 gn (f= 2...500 Hz) i samsvar med IEC 60068-2-6
Støtmotstand	30 gn (varighet = 18 ms) for halvsinuskurve akselerasjon i samsvar med IEC 60068-2-27 50 gn (varighet = 11 ms) for halvsinuskurve akselerasjon i samsvar med IEC 60068-2-27

Forpakkingsinformasjon

Enhetstype pakke 1	PCE
Antall enheter i pakke 1	1
Pakke 1 Høyde	8,7 cm
Pakke 1 Bredde	3,4 cm
Pakke 1 Vekt	5,2 cm
Package 1 Weight	67 g
Enhetstype pakke 2	S02
Antall enheter i pakke 2	50
Pakke 2 Høyde	15 cm
Pakke 2 Bredde	30 cm
Pakke 2 Lengde	40 cm
Pakke 2 Vekt	3,655 kg

Bærekraftig

REACH-regelverk	REACH-erklæring
EU RoHS-direktiv	Proaktivt i samsvar (Produktet inngår ikke i EUs RoHS direktivet)
Kvikksølvfri	Ja
Kinas RoHS-forskrift	Kinas RoHS-Erklæring
Informasjon om RoHS-unntak	Ja

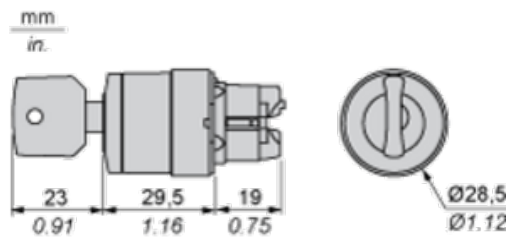
Logistisk informasjon

Opprinnelsesland	FR
------------------	----

Garantiperiode

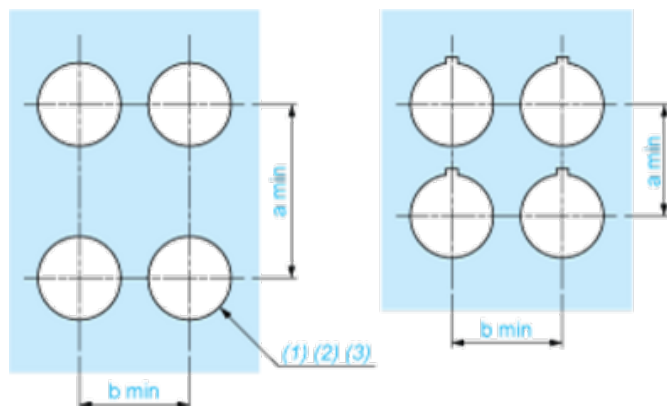
Garanti	18 months
---------	-----------

Dimensions



Panel Cut-out for Pushbuttons, Switches and Pilot Lights (Finished Holes, Ready for Installation)

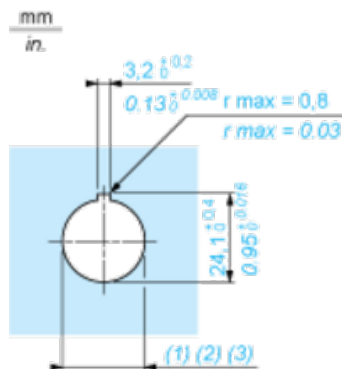
Connection by Screw Clamp Terminals or Plug-in Connectors or on Printed Circuit Board



- (1) Diameter on finished panel or support
- (2) For selector switches and Emergency stop buttons, use of an anti-rotation plate type ZB5AZ902 is recommended.
- (3) $\varnothing 22.5$ mm recommended ($\varnothing 22.3_0^{+0.4}$) / $\varnothing 0.89$ in. recommended ($\varnothing 0.88$ in. $_0^{+0.016}$)

Connections	a in mm	a in in.	b in mm	b in in.
By screw clamp terminals or plug-in connector	40	1.57	30	1.18
By Faston connectors	45	1.77	32	1.26
On printed circuit board	30	1.18	30	1.18

Detail of Lug Recess



- (1) Diameter on finished panel or support
- (2) For selector switches and Emergency stop buttons, use of an anti-rotation plate type ZB5AZ902 is recommended.
- (3) $\varnothing 22.5$ mm recommended ($\varnothing 22.3_0^{+0.4}$) / $\varnothing 0.89$ in. recommended ($\varnothing 0.88$ in. $_0^{+0.016}$)

Pushbuttons, Switches and Pilot Lights for Printed Circuit Board Connection

Panel Cut-outs (Viewed from Installer's Side)



A: 30 mm min. / 1.18 in. min.

B: 40 mm min. / 1.57 in. min.

Printed Circuit Board Cut-outs (Viewed from Electrical Block Side)

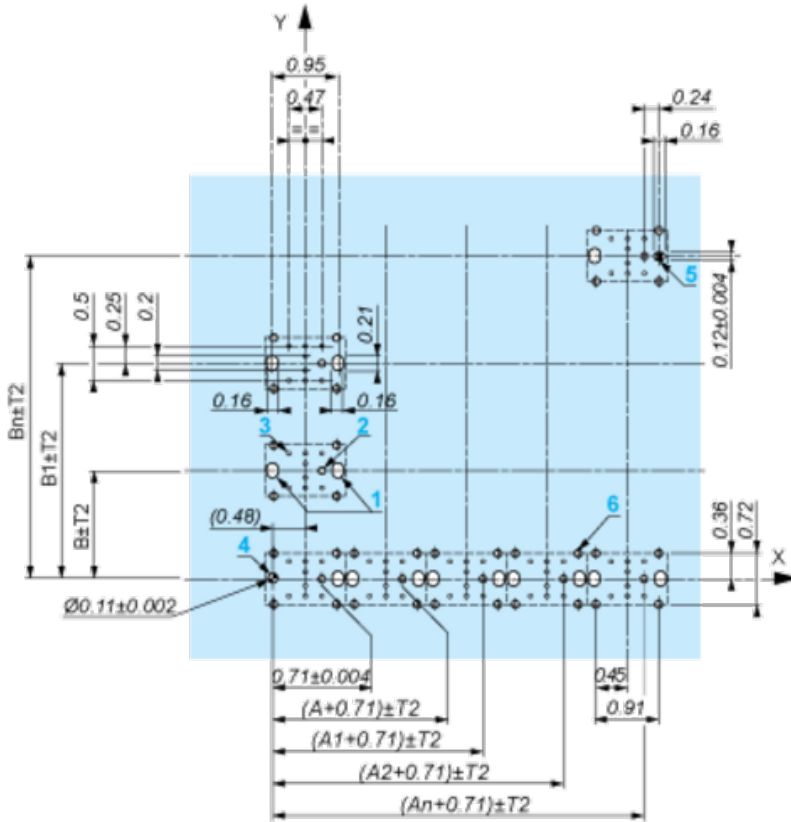
Dimensions in mm



A: 30 mm min.

B: 40 mm min.

Dimensions in in.



A: 1.18 in. min.
B: 1.57 in. min.

General Tolerances of the Panel and Printed Circuit Board

The cumulative tolerance must not exceed 0.3 mm / 0.012 in.: $T1 + T2 = 0.3 \text{ mm max.}$

Installation Precautions

- Minimum thickness of circuit board: 1.6 mm / 0.06 in.
- Cut-out diameter: 22.4 mm \pm 0.1 / 0.88 in. \pm 0.004
- Orientation of body/fixing collar ZB5AZ009: $\pm 2^\circ 30'$ (excluding cut-outs marked a and b).
- Tightening torque of screws ZBZ006: 0.6 N.m (5.3 lbf.in) max.
- Allow for one ZB5AZ079 fixing collar/pillar and its fixing screws:
 - every 90 mm / 3.54 in. horizontally (X), and 120 mm / 4.72 in. vertically (Y).
 - with each selector switch head (ZB5AD•, ZB5AJ•, ZB5AG•).

The fixing centers marked a and b are diagonally opposed and must align with those marked 4 and 5.



- (1) Head ZB5AD•
(2) Panel
(2) Nut

(4) Printed circuit board

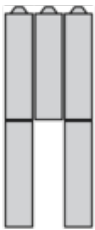
Mounting of Adapter (Socket) ZBZ01•

- 1 2 elongated holes for ZBZ006 screw access
- 2 1 hole \varnothing 2.4 mm \pm 0.05 / 0.09 in. \pm 0.002 for centring adapter ZBZ01•
- 3 8 \times \varnothing 1.2 mm / 0.05 in. holes
- 4 1 hole \varnothing 2.9 mm \pm 0.05 / 0.11 in. \pm 0.002, for aligning the printed circuit board (with cut-out marked a)
- 5 1 elongated hole for aligning the printed circuit board (with cut-out marked b)
- 6 4 holes \varnothing 2.4 mm / 0.09 in. for clipping in adapter ZBZ01•

Dimensions An + 18.1 relate to the \varnothing 2.4 mm \pm 0.05 / 0.09 in. \pm 0.002 holes for centring adapter ZBZ01•.

Electrical Composition Corresponding to Code C4

Electrical Composition Corresponding to Code C5

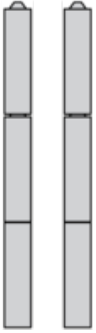


Electrical Composition Corresponding to Code C6

Electrical Composition Corresponding to Code C7

Electrical Composition Corresponding to Code C8

Electrical Composition Corresponding to Code C3



Electrical Composition Corresponding to Codes C9, C11, SF1 and SR1

Legend

Single contact

Double contact

Light block

Possible location



Sequence of Contacts Fitted to 3-position Selector Switch Body

Position 315°



Push	Position	Top			
Bottom					
Location		Left	Centre	Right	
State		1	1	0	
Contacts	N/O		closed	closed	open
N/C		open	open	closed	

Position 0°



Push	Position	Top			
Bottom					
Location		Left	Centre	Right	
State		0	0	0	
Contacts	N/O		open	open	open
N/C		closed	closed	closed	

Position 45°



Push	Position	Top			
Bottom					
Location		Left	Centre	Right	
State		0	1	1	
Contacts	N/O		open	closed	closed
N/C		closed	open	open	