



Main

| | |
|-----------------------------|--|
| Range of product | Harmony XALD |
| Product or component type | Empty control station |
| Device short name | XALD |
| Product destination | For XB5 Ø 22 mm control and signalling units |
| Number of cut-out | 3 cut-outs |
| Colour of base of enclosure | Light grey (RAL 7035) |
| Colour of cover | Dark grey (RAL 7016) |
| Material | Polycarbonate |
| Cable entry | 2 knock-outs for cable entry, clamping capacity: 14 mm 2 knock-outs for Pg 13 cable gland and ISO M20, clamping capacity: 12 mm |
| IP degree of protection | IP66 conforming to IEC 60529 IP67 IP69 IP69K |

Complementary

| | |
|------------------------------------|--|
| Assembly style | For customer assembly |
| Number of horizontal rows | 1 |
| Number of vertical rows | 3 |
| Net weight | 0.238 kg |
| Resistance to high pressure washer | 7000000 Pa at 55 °C, distance : 0.1 m |
| Mounting of block | Rear mounting Front mounting |
| Electrical composition code | SF1 MF2 PF2 PF1 MR1 MF1 SF2 SR1 SR2 PR1 |
| Main group | 3 cut-outs |
| Group of product | Standard grey |

Environment

| | |
|---------------------------------------|----------------------------------|
| Protective treatment | TH |
| Ambient air temperature for storage | -40...70 °C |
| Ambient air temperature for operation | -40...70 °C |
| Overvoltage category | Class II conforming to IEC 60536 |
| NEMA degree of protection | NEMA 13 NEMA 4X |

| | |
|-------------------------|---|
| IK degree of protection | IK03 conforming to IEC 62262 |
| Standards | IEC 60947-1 CSA C22.2 No 14 UL 508 IEC 60947-5-5 IEC 60947-5-1 IEC 60947-5-4 JIS C8201-5-1 JIS C8201-1 |

Packing Units

| | |
|------------------------------|-----------|
| Unit Type of Package 1 | PCE |
| Number of Units in Package 1 | 1 |
| Package 1 Height | 7.500 cm |
| Package 1 Width | 13.700 cm |
| Package 1 Length | 7.000 cm |
| Package 1 Weight | 222.000 g |
| Unit Type of Package 2 | S03 |
| Number of Units in Package 2 | 30 |
| Package 2 Height | 30.000 cm |
| Package 2 Width | 30.000 cm |
| Package 2 Length | 40.000 cm |
| Package 2 Weight | 7.134 kg |
| Unit Type of Package 3 | P06 |
| Number of Units in Package 3 | 240 |
| Package 3 Height | 75.000 cm |
| Package 3 Width | 60.000 cm |
| Package 3 Length | 80.000 cm |
| Package 3 Weight | 68.924 kg |

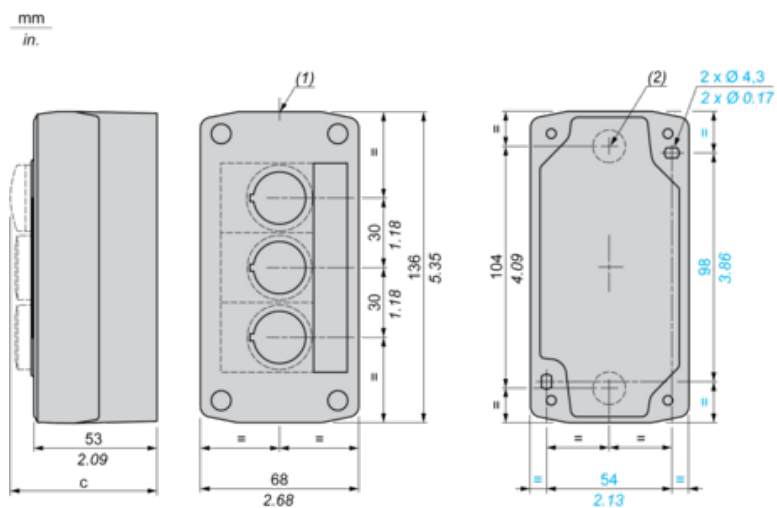
Offer Sustainability

| | |
|----------------------------|--|
| Sustainable offer status | Green Premium product |
| REACH Regulation | REACH Declaration |
| REACH free of SVHC | Yes |
| EU RoHS Directive | Pro-active compliance (Product out of EU RoHS legal scope) EU RoHS Declaration |
| Toxic heavy metal free | Yes |
| Mercury free | Yes |
| China RoHS Regulation | China RoHS Declaration |
| RoHS exemption information | Yes |
| Environmental Disclosure | Product Environmental Profile |
| Circularity Profile | End Of Life Information |

Contractual warranty

| | |
|----------|-----------|
| Warranty | 18 months |
|----------|-----------|

Dimensions



(1) 2 knock-outs for Pg 13.5 cable gland, maximum capacity 12 mm/0.47 in.

(2) Knock-out for cable entry, maximum capacity 14 mm/0.55 in.

| Control station fitted with: | c in mm | c in in. |
|------------------------------|---------|----------|
| Flush pushbutton | 62 | 2.44 |
| Illuminated pushbutton | 64 | 2.52 |
| Pilot light | 65.5 | 2.58 |
| Projecting pushbutton | 66 | 2.60 |
| Selector switch | 80 | 3.15 |
| Key switch | 105.5 | 4.15 |