

# XB4BW34G5

Illuminated push button, Harmony XB4, metal, red flush, 22mm, universal LED, plain lens, 1NO + 1NC, 110...120V AC



## Main

|                                 |  |
|---------------------------------|--|
| Range of product                | Harmony XB4  |
| Product or component type       | Illuminated push-button  |
| Device short name               | XB4  |
| Bezel material                  | Chromium plated metal  |
| Fixing collar material          | Zamak  |
| Mounting diameter               | 22.5 mm  |
| Sale per indivisible quantity   | 1  |
| Head type                       | Standard   |
| Shape of signaling unit head    | Round  |
| Type of operator                | Spring return  |
| Operator profile                | Red flush  |
| Operator additional information | With plain lens  |
| Contacts type and composition   | 1 NO + 1 NC  |
| Contact operation               | Slow-break   |
| Connections - terminals         | Screw clamp terminals, $\leq 2 \times 1.5 \text{ mm}^2$ with cable end conforming to IEC 60947-1<br>Screw clamp terminals, $1 \times 0.22...2 \times 2.5 \text{ mm}^2$ without cable end conforming to IEC 60947-1 |
| Light source                    | Universal LED  |
| Bulb base                       | Integral LED   |
| [Us] rated supply voltage       | 110...120 V AC at 50/60 Hz   |

## Complementary

|                                    |   |
|------------------------------------|---|
| Height                             | 47 mm   |
| Width                              | 30 mm   |
| Depth                              | 57 mm   |
| Terminals description ISO n°1      | (21-22)NC<br>(13-14)NO  |
| Net weight                         | 0.097 kg  |
| Resistance to high pressure washer | 7000000 Pa at 55 °C, distance : 0.1 m   |
| Contacts usage                     | Standard contacts   |
| Positive opening                   | With conforming to IEC 60947-5-1 appendix K   |
| Operating travel                   | 1.5 Mm (NC changing electrical state)<br>2.6 Mm (NO changing electrical state)<br>4.3 mm (total travel)   |
| Operating force                    | 3.5 N NC changing electrical state<br>3.8 N   |
| Mechanical durability              | 10000000 cycles   |
| Tightening torque                  | 0.8...1.2 N.m conforming to IEC 60947-1   |
| Shape of screw head                | Cross compatible with Philips no 1 screwdriver<br>Cross compatible with pozidriv No 1 screwdriver<br>Slotted compatible with flat Ø 4 mm screwdriver<br>Slotted compatible with flat Ø 5.5 mm screwdriver |

The information provided in this documentation contains general descriptions and/or technical characteristics of the performance of the products contained herein. This documentation is not intended as a substitute for and is not to be used for determining suitability or reliability of these products for specific user applications. It is the duty of any such user or integrator to perform the appropriate and complete risk analysis, evaluation and testing of the products with respect to the relevant specific application or use thereof. Neither Schneider Electric Industries SAS nor any of its affiliates or subsidiaries shall be responsible or liable for misuse of the information contained herein.

|  |  |
|--|--|
| Contacts material  | Silver alloy (Ag/Ni)   |
| Short-circuit protection                                 | 10 A cartridge fuse type gG conforming to IEC 60947-5-1  |
| [I <sub>th</sub> ] conventional free air thermal current | 10 A conforming to IEC 60947-5-1   |
| [U <sub>i</sub> ] rated insulation voltage               | 600 V (pollution degree 3) conforming to IEC 60947-1   |
| [U <sub>imp</sub> ] rated impulse withstand voltage      | 6 kV conforming to IEC 60947-1   |
| [I <sub>e</sub> ] rated operational current              | 3 A at 240 V, AC-15, A600 conforming to IEC 60947-5-1<br>6 A at 120 V, AC-15, A600 conforming to IEC 60947-5-1<br>0.1 A at 600 V, DC-13, Q600 conforming to IEC 60947-5-1<br>0.27 A at 250 V, DC-13, Q600 conforming to IEC 60947-5-1<br>0.55 A at 125 V, DC-13, Q600 conforming to IEC 60947-5-1<br>1.2 A at 600 V, AC-15, A600 conforming to IEC 60947-5-1   |
| Electrical durability                                    | 1000000 Cycles, AC-15, 2 A at 230 V, operating rate <3600 cyc/h, load factor: 0.5 conforming to IEC 60947-5-1 appendix C<br>1000000 Cycles, AC-15, 3 A at 120 V, operating rate <3600 cyc/h, load factor: 0.5 conforming to IEC 60947-5-1 appendix C<br>1000000 Cycles, AC-15, 4 A at 24 V, operating rate <3600 cyc/h, load factor: 0.5 conforming to IEC 60947-5-1 appendix C<br>1000000 Cycles, DC-13, 0.2 A at 110 V, operating rate <3600 cyc/h, load factor: 0.5 conforming to IEC 60947-5-1 appendix C<br>1000000 cycles, DC-13, 0.5 A at 24 V, operating rate <3600 cyc/h, load factor: 0.5 conforming to IEC 60947-5-1 appendix C |
| Electrical reliability                                   | $\Lambda < 10\exp(-6)$ at 5 V and 1 mA in clean environment conforming to IEC 60947-5-4<br>$\Lambda < 10\exp(-8)$ at 17 V and 5 mA in clean environment conforming to IEC 60947-5-4  |
| Signalling type  | Steady   |
| Current consumption                                      | 14 mA  |
| Service life   | 100000 h at rated voltage and 25 °C  |
| Surge withstand  | 1 kV conforming to IEC 61000-4-5   |
| Supply voltage limits                                    | 100...132 V AC   |
| Device presentation                                      | Complete product   |

## Environment

|                                       |  |
|---------------------------------------|--|
| Protective treatment                  | TH   |
| Ambient air temperature for storage   | -40...70 °C  |
| Ambient air temperature for operation | -40...70 °C  |
| Electrical shock protection class     | Class I conforming to IEC 60536  |
| IP degree of protection               | IP66 conforming to IEC 60529<br>IP67<br>IP69<br>IP69K  |
| NEMA degree of protection             | NEMA 13<br>NEMA 4X   |
| IK degree of protection               | IK06 conforming to IEC 50102   |
| Standards                             | JIS C8201-5-1<br>IEC 60947-5-5<br>IEC 60947-5-4<br>IEC 60947-5-1<br>CSA C22.2 No 14<br>UL 508<br>IEC 60947-1<br>JIS C8201-1  |
| Product certifications                | LROS (Lloyds register of shipping)[RETURN]UL listed[RETURN]CSA[RETURN]BV[RETURN]GL[RETURN]DNV  |
| Vibration resistance                  | 5 gn (f= 2...500 Hz) conforming to IEC 60068-2-6   |
| Shock resistance                      | 30 gn (duration = 18 ms) for half sine wave acceleration conforming to IEC 60068-2-27<br>50 gn (duration = 11 ms) for half sine wave acceleration conforming to IEC 60068-2-27 |
| Resistance to fast transients         | 2 kV conforming to IEC 61000-4-4   |
| Resistance to electromagnetic fields  | 10 V/m conforming to IEC 61000-4-3   |
| Resistance to electrostatic discharge | 6 kV on contact (on metal parts) conforming to IEC 61000-4-2<br>8 kV in free air (in insulating parts) conforming to IEC 61000-4-2   |
| Electromagnetic emission              | Class B conforming to IEC 55011  |

## Packing Units

|                              |          |
|------------------------------|----------|
| Unit Type of Package 1       | PCE      |
| Number of Units in Package 1 | 1        |
| Package 1 Height             | 8.8 cm   |
| Package 1 Width              | 3.4 cm   |
| Package 1 Length             | 5.4 cm   |
| Package 1 Weight             | 95.0 g   |
| Unit Type of Package 2       | S02      |
| Number of Units in Package 2 | 50       |
| Package 2 Height             | 15 cm    |
| Package 2 Width              | 30 cm    |
| Package 2 Length             | 40 cm    |
| Package 2 Weight             | 5.084 kg |

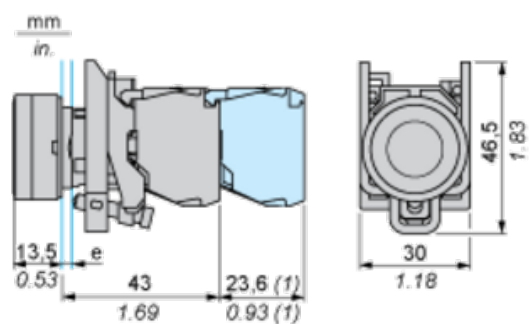
## Offer Sustainability

|                            |   |
|----------------------------|---|
| Sustainable offer status   | Green Premium product   |
| REACH Regulation           | <a href="#">REACH Declaration</a>   |
| EU RoHS Directive          | Pro-active compliance (Product out of EU RoHS legal scope)  |
| Mercury free               | Yes   |
| China RoHS Regulation      | <a href="#">China RoHS Declaration</a>  |
| RoHS exemption information | <a href="#">Yes</a>   |
| Environmental Disclosure   | <a href="#">Product Environmental Profile</a>   |
| Circularity Profile        | <a href="#">End Of Life Information</a>   |
| WEEE                       | The product must be disposed on European Union markets following specific waste collection and never end up in rubbish bins |

## Contractual warranty

|          |           |
|----------|-----------|
| Warranty | 18 months |
|----------|-----------|

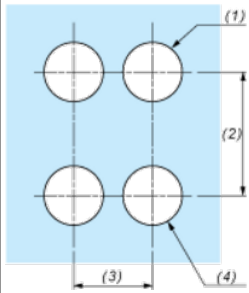
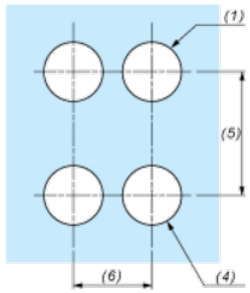
Dimensions



e : clamping thickness: 1 to 6 mm / 0.04 to 0.24 in.

(1) Additional row of contacts or double contact

Panel Cut-out for Pushbuttons, Switches and Pilot Lights (Finished Holes, Ready for Installation)

| Connection by Screw Clamp Terminals or Plug-in Connectors or on Printed Circuit Board   | Connection by Faston Connectors  |
|---|--|
|    |  |
| <p>(1) Diameter on finished panel or support</p> <p>(2) 40 mm min. / 1.57 in. min.</p> <p>(3) 30 mm min. / 1.18 in. min.</p> <p>(4) <math>\text{Ø } 22.5 \text{ mm} / 0.89 \text{ in. recommended } (\text{Ø } 22.3 \text{ mm }_0^{+0.4} / 0.88 \text{ in. }_0^{+0.016})</math></p> <p>(5) 45 mm min. / 1.78 in. min.</p> <p>(6) 32 mm min. / 1.26 in. min.</p> |  |