

# XVGB3M

## Tower Light - RAG - 24V - LED - Tube mounting with foldable bracket



### Main

Range of product	Harmony XVG
Product or component type	Complete pre-wired monolithic tower light type
Beacon or indicator bank unit type	3 illuminated units
Material	PC (UL94 V-2): globe ABS (UL94HB): tube body Aluminium: tube
Mounting diameter	60 mm
Component name	XVG
Device mounting	Tube mounting with foldable bracket
Light source	LED steady red LED steady green LED steady amber
Light block color	Red/orange/green
Indicator bank base type	Base without buzzer

### Complementary

Rated supply voltage	24 V AC/DC
Cable cross section	0.33 mm <sup>2</sup>
Discrete output type	PNP and NPN
[Uimp] rated impulse withstand voltage	0.5 kV
Current consumption	109 mA
Power consumption in W	3.1 W
Fundamental frequency	2.64 kHz
Net weight	0.4 kg

### Environment

Product certifications	CE[RETURN]EAC
Ambient air temperature for storage	-35...70 °C
Ambient air temperature for operation	-10...50 °C
IP degree of protection	IP40

### Packing Units

Unit Type of Package 1	PCE
Number of Units in Package 1	1
Package 1 Height	8.3 cm
Package 1 Width	14.0 cm
Package 1 Length	54.4 cm
Package 1 Weight	601.0 g
Unit Type of Package 2	S04
Number of Units in Package 2	8
Package 2 Height	30 cm
Package 2 Width	40 cm
Package 2 Length	60 cm
Package 2 Weight	5.76 kg

Unit Type of Package 3	P06
Number of Units in Package 3	30
Package 3 Height	72 cm
Package 3 Width	60 cm
Package 3 Length	80 cm
Package 3 Weight	30.6 kg

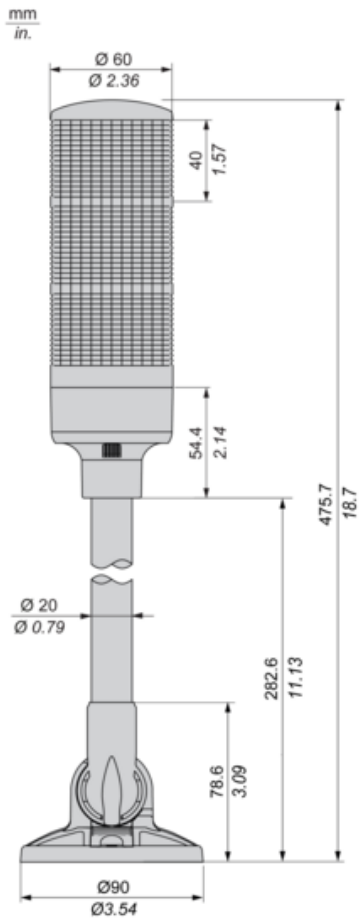
### Offer Sustainability

Sustainable offer status	Green Premium product
REACH Regulation	<a href="#">REACH Declaration</a>
EU RoHS Directive	Pro-active compliance (Product out of EU RoHS legal scope)
Mercury free	Yes
China RoHS Regulation	<a href="#">China RoHS Declaration</a>
RoHS exemption information	<a href="#">Yes</a>
Environmental Disclosure	<a href="#">Product Environmental Profile</a>
Circularity Profile	<a href="#">End Of Life Information</a>

### Contractual warranty

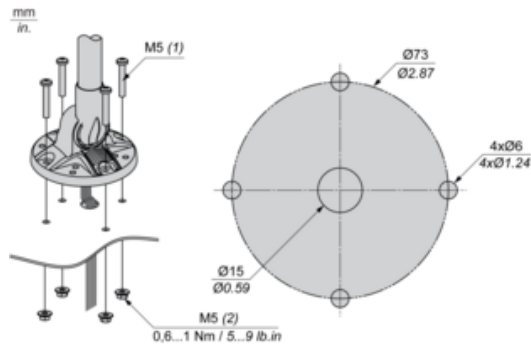
Warranty	18 months
----------	-----------

## Dimensions



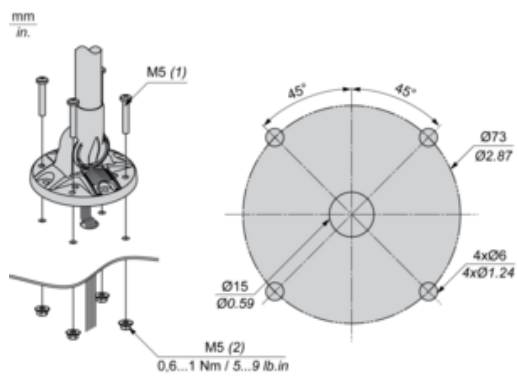
Mounting

Ø73 mm/2.87 in., Standard



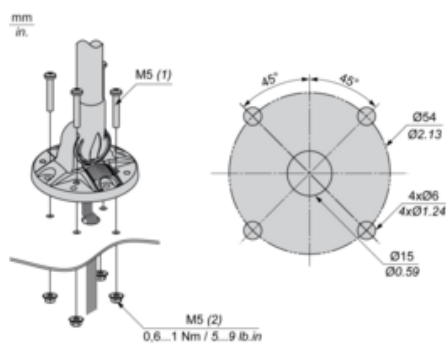
(1) Thickness + 10 mm/0.39 in.

(2) Hexagon Nut with flange  
Ø73 mm/2.87 in., 45°



(1) Thickness + 10 mm/0.39 in.

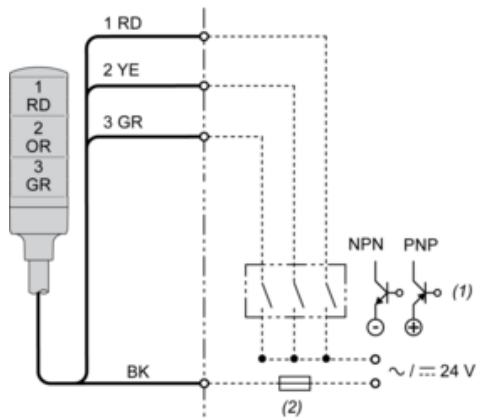
(2) Hexagon Nut with flange  
Ø54 mm/2.13 in., 45°



(1) Thickness + 10 mm/0.39 in.

(2) Hexagon Nut with flange

## Wiring



(1) "ON" for lighting and/or applying continuous sound.

(2) Fuse (rated current: 0.5 A)

RD : Red

YE : Yellow

GR : Green

OR : Orange

BK : Black