

Main

Range of product	Harmony XB4
Product or component type	Flush mounting kit
Accessory / separate part category	Mounting and fixing accessory
Accessory / separate part destination	Pilot light Push-button

Complementary

Product compatibility	ZB4BH flush ZB4BL ZB4BA flush ZB4BV
Surface finish	Chromium plated
IP degree of protection	IP66 (front face) conforming to IEC 60529 IP69 (front face) conforming to IEC 60529 IP69K (front face) conforming to DIN 40050-9
IK degree of protection	IK06 conforming to IEC 50102
Mounting diameter	30.5 mm
Quantity per set	Set of 1

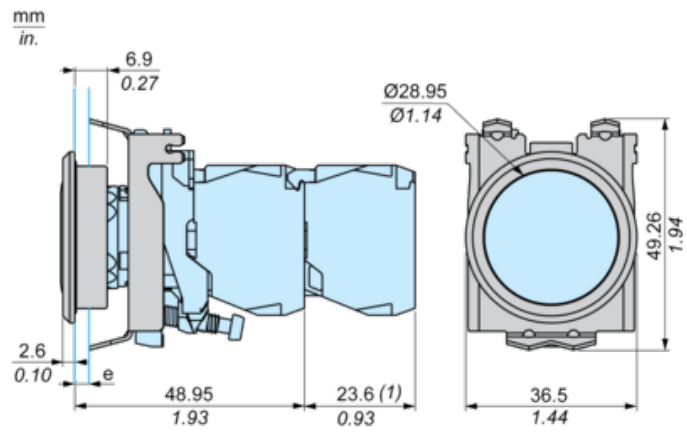
Packing Units

Unit Type of Package 1	PCE
Number of Units in Package 1	1
Package 1 Height	4.400 cm
Package 1 Width	5.300 cm
Package 1 Length	5.500 cm
Package 1 Weight	32.000 g
Unit Type of Package 2	S02
Number of Units in Package 2	80
Package 2 Height	15.000 cm
Package 2 Width	30.000 cm
Package 2 Length	40.000 cm
Package 2 Weight	2.860 kg
Unit Type of Package 3	P06
Number of Units in Package 3	1280
Package 3 Height	75.000 cm
Package 3 Width	60.000 cm
Package 3 Length	80.000 cm
Package 3 Weight	54.260 kg

Offer Sustainability

REACH Regulation	REACH Declaration
REACH free of SVHC	Yes
EU RoHS Directive	Compliant EU RoHS Declaration
Toxic heavy metal free	Yes
Mercury free	Yes
China RoHS Regulation	China RoHS Declaration
RoHS exemption information	Yes
WEEE	The product must be disposed on European Union markets following specific waste collection and never end up in rubbish bins

Dimensions with Flush Mounting Kit



e : Clamping thickness : 1.2 to 2.8 mm / 0.05 to 0.11 in.

(1) Additional row of contacts or double contact

Panel Cut-Out and Mounting

