



Main

Range of product	Harmony XB5
Product or component type	Flush mounting kit
Accessory / separate part categor	Mounting and fixing accessory
Product compatibility	ZB5AD ZB5RTA ZB5AD.8 ZB5RZA0 ZB5AK ZB5AA.6 ZB5AD.9 ZB5AJ ZB5AW ZB5AH..3
Accessory / separate part destination	Selector switch with high bezel and high guard Illuminated push-button with high bezel and high guard

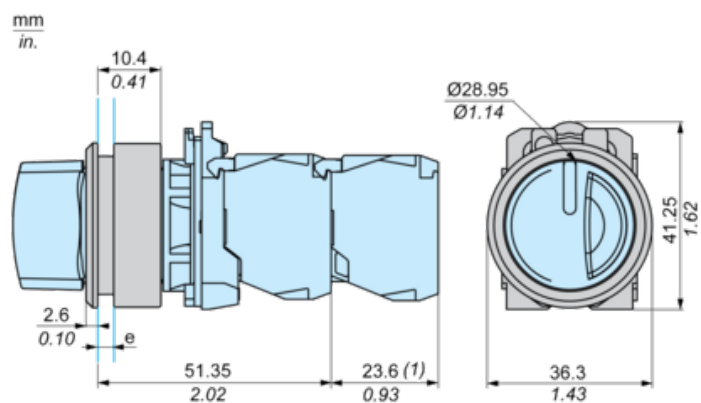
Complementary

Colour	Black
IP degree of protection	IP66 (front face) conforming to IEC 60529 IP69 (front face) conforming to IEC 60529 IP69K (front face) conforming to DIN 40050-9
IK degree of protection	IK03 conforming to IEC 50102
Mounting diamete	30.5 mm
Quantity per set	Set of 1

Packing Units

Unit Type of Package 1	PCE
Number of Units in Package 1	1
Package 1 Height	5.700 cm
Package 1 Width	5.200 cm
Package 1 Length	5.500 cm
Package 1 Weight	15.000 g
Unit Type of Package 2	S02
Number of Units in Package 2	80
Package 2 Height	15.000 cm
Package 2 Width	30.000 cm
Package 2 Length	40.000 cm
Package 2 Weight	1.622 kg

Dimensions with Flush Mounting Kit



e : Clamping thickness : 1 to 3.5 mm / 0.04 to 0.14 in.

(1) Additional row of contacts or double contact

Panel Cut-Out and Mounting

