

# Product data sheet

## Characteristics

# BRS368H130AAA

3-phase stepper motor - 1.70 Nm - shaft  $\tilde{\sim}$ 8 mm - L=79 mm - without brake - wire



### Main

Range Compatibility	Lexium SD3
Product or Component Type	Motion control motor
Device short name	BRS3
Maximum mechanical speed	3000 rpm
Motor Type	3-phase stepper motor
Number of motor poles	6
Supply voltage limits	34 V DC 48 V DC
Mounting Support	Flange
Motor flange size	2.3 in (57.2 mm)
Length	3.1 in (79 mm)
Centring collar diameter	1.5 in (38 mm)

### Complementary

Centring collar depth	0.06 in (1.6 mm)
Number of mounting holes	4
Mounting holes diameter	0.2 in (5.2 mm)
Circle diameter of the mounting holes	2.6 in (66.6 mm)
Electrical Connection	Flying leads
Holding brake	Without
Shaft end	Smooth shaft
Second shaft	Without second shaft end
Shaft diameter	0.3 in (8 mm)
Shaft length	0.8 in (21 mm)
Nominal torque	13.3 lbf.in (1.5 N.m)
Holding torque	15.05 lbf.in (1.7 N.m)
Rotor inertia	0.38 kg.cm <sup>2</sup>
Resolution	1.8 °, 0.9 °, 0.72 °, 0.36 °, 0.18 °, 0.09 °, 0.072 °, 0.036 ° step angle 200, 400, 500, 1000, 2000, 4000, 5000, 10000 steps number of full steps per revolution
Accuracy error	+/- 6 arc min
Maximum starting frequency	6 kHz
Line Rated Current	5.8 A
Resistance	0.7 Ohm winding)
Time constant	4.6 ms
Maximum radial force Fr	50 N first shaft end) 40 N second shaft end)
Maximum axial force Fa	100 N tensile force) 8.4 N force pressure)
Service life in hours	20000 h bearing)
Angular acceleration	200000 rad/s <sup>2</sup>
Net Weight	4.4 lb(US) (2 kg)

The information provided in this documentation contains general descriptions and/or technical characteristics of the performance of the products contained herein. This documentation is not intended as a substitute for and is not to be used for determining suitability or reliability of these products for specific user applications. It is the duty of any such user or integrator to perform the appropriate and complete risk analysis, evaluation and testing of the products with respect to the relevant specific application or use thereof. Neither Schneider Electric Industries SAS nor any of its affiliates or subsidiaries shall be responsible or liable for misuse of the information contained herein.

## Environment

Standards	IEC 50347 IEC 60072-1
Type of cooling	Natural convection
Ambient Air Temperature for Operation	-13...104 °F (-25...40 °C)
Ambient Air Temperature for Storage	-13...158 °F (-25...70 °C)
Operating altitude	<= 3280.84 ft (1000 m) without power derating
Relative humidity	15...85 % without condensation
Vibration resistance	20 m/s <sup>2</sup> maximum A IEC 60034-14
IP degree of protection	IP56 total except shaft bushing: conforming to IEC 60034-5 IP41 shaft bushing without shaft seal ring: conforming to IEC 60034-5
Temperature class	F winding IEC 60034-1

## Ordering and shipping details

Category	US1PC5518284
Discount Schedule	PC55
GTIN	3606485149431
Returnability	No
Country of origin	DE

## Packing Units

Unit Type of Package 1	PCE
Number of Units in Package 1	1
Package 1 Height	4.134 in (10.500 cm)
Package 1 Width	6.693 in (17.000 cm)
Package 1 Length	9.646 in (24.500 cm)
Package 1 Weight	3.080 lb(US) (1.397 kg)
Unit Type of Package 2	P06
Number of Units in Package 2	36
Package 2 Height	29.528 in (75.000 cm)
Package 2 Width	23.622 in (60.000 cm)
Package 2 Length	31.496 in (80.000 cm)
Package 2 Weight	130.011 lb(US) (58.972 kg)

## Offer Sustainability

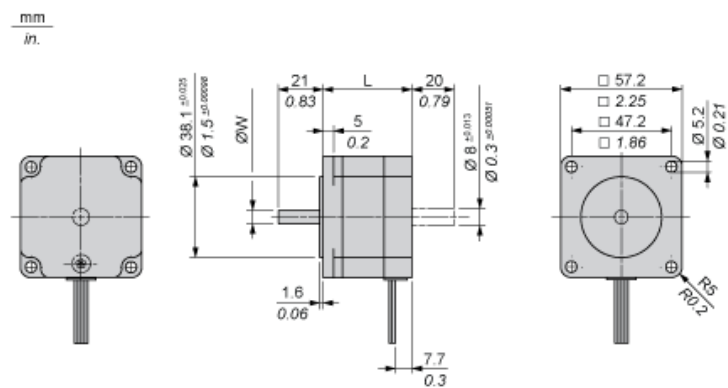
Sustainable offer status	Green Premium product
California proposition 65	"WARNING: This product can expose you to chemicals including: Lead and lead compounds, which is known to the State of California to cause cancer and birth defects or other reproductive harm. For more information go to <a href="http://www.P65Warnings.ca.gov">www.P65Warnings.ca.gov</a> "
REACH Regulation	<a href="#">REACH Declaration</a>
EU RoHS Directive	Pro-active compliance (Product out of EU RoHS legal scope)
Mercury free	Yes
China RoHS Regulation	<a href="#">China RoHS Declaration</a>
RoHS exemption information	<a href="#">Yes</a>
Environmental Disclosure	<a href="#">Product Environmental Profile</a>
Circularity Profile	No need of specific recycling operations
WEEE	The product must be disposed on European Union markets following specific waste collection and never end up in rubbish bins.
PVC free	Yes

## Contractual warranty

Warranty	18 months
----------	-----------

Dimensions

3-Phase Stepper Motor in Wire Version



Dimensions in mm

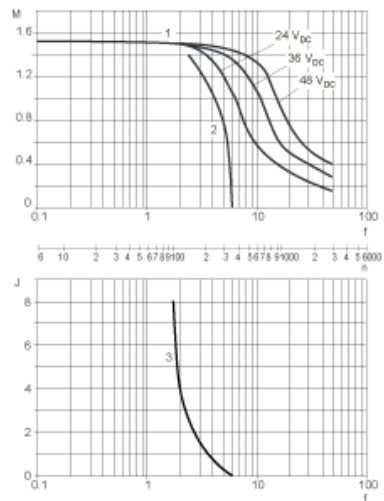
L	Shaft diameter ØW
79 ± 0.5	8 ± 0.013

Dimensions in in.

L	Shaft diameter ØW
3.11 ± 0.020	0.31 ± 0.00051

Torque Characteristics

Measurement at 1000 Steps/Revolution, Nominal Voltage DC Bus  $U_N$  and Phase Current  $I_N$



- M : Torque in Nm
- n : Speed in rpm
- f : Frequency in kHz
- J : Rotor inertia in kg.cm<sup>2</sup>
- 1 : Pull-out torque
- 2 : Pull-in torque
- 3 : Maximum load inertia