

ATS48C14Y

soft starter for asynchronous motor, ATS48,
124 A, 208..690 V, 30..110 KW



Main

| | |
|------------------------------|--|
| Range of Product | Altistart 48 |
| Product or Component Type | Soft starter |
| Product destination | Asynchronous motors |
| Product Specific Application | Heavy duty industry and pumps |
| Device short name | ATS48 |
| Utilisation category | AC-53A |
| Ue power supply voltage | 208...690 V - 15...10 % |
| Power supply frequency | 50...60 Hz - 5...5 % |
| Motor power kW | 110 KW 660 V for standard applications 110 KW 690 V for standard applications 30 KW 230 V for severe applications 37 KW 230 V for standard applications 55 KW 400 V for severe applications 55 KW 440 V for severe applications 75 KW 400 V for standard applications 75 KW 440 V for standard applications 75 KW 500 V for severe applications 75 KW 525 V for severe applications 90 KW 500 V for standard applications 90 KW 525 V for standard applications 90 KW 660 V for severe applications 90 kW 690 V for severe applications |
| Maximum Horse Power Rating | 100 Hp 460 V for standard applications 100 Hp 575 V for severe applications 125 Hp 575 V for standard applications 30 Hp 208 V for severe applications 40 Hp 208 V for standard applications 40 Hp 230 V for severe applications 50 Hp 230 V for standard applications 75 hp 460 V for severe applications |

Complementary

| | |
|---------------------------|--|
| Device connection | In the motor supply line |
| Protection type | Phase failure line Thermal protection motor Thermal protection starter |
| Standards | EN/IEC 60947-4-2 |
| Product Certifications | UL C-tick CSA TCF CCC NOM 117 DNV GOST SEPRO |
| Marking | CE |
| Discrete input number | 5 |
| Discrete input type | PTC, 750 Ohm 77 °F (25 °C) Stop, Run, LI3, LI4) logic, <= 8 mA 4300 Ohm |
| Discrete input logic | Positive logic Stop, Run, LI3, LI4 < 5 V <= 2 mA > 11 V, >= 5 mA |
| Minimum switching current | 10 mA 6 V DC relay outputs |
| Discrete output number | 2 |

| | |
|-----------------------------|--|
| Discrete output type | LO1) logic output 0 V common configurable LO2) logic output 0 V common configurable R1) relay outputs fault relay NO R2) relay outputs end of starting relay NO R3) relay outputs motor powered NO |
| Analogue output type | Current output AO 0-20 mA or 4-20 mA 500 Ohm |
| Communication port protocol | Modbus |
| Connector Type | 1 RJ45 |
| Communication data link | Serial |
| Physical interface | RS485 multidrop |
| Transmission Rate | 4800, 9600 or 19200 bps |
| Function Available | External bypass (optional) |
| Operating position | Vertical +/- 10 degree |
| Height | 13.39 in (340 mm) |
| Width | 7.87 in (200 mm) |
| Depth | 10.43 in (265 mm) |
| Net Weight | 27.34 lb(US) (12.4 kg) |

Environment

| | |
|---------------------------------------|--|
| Electromagnetic compatibility | Conducted and radiated emissions level A IEC 60947-4-2 Conducted and radiated emissions level B IEC 60947-4-2 Damped oscillating waves level 3 IEC 61000-4-12 Electrostatic discharge level 3 IEC 61000-4-2 Immunity to electrical transients level 4 IEC 61000-4-4 Immunity to radiated radio-electrical interference level 3 IEC 61000-4-3 Voltage/current impulse level 3 IEC 61000-4-5 |
| Relative humidity | 0...95 % without condensation or dripping water EN/IEC 60068-2-3 |
| Ambient air temperature for operation | 104...140 °F (40...60 °C) with current derating of 2 % per °C) 14...104 °F (-10...40 °C) without derating) |
| Ambient Air Temperature for Storage | -13...158 °F (-25...70 °C) |
| Operating altitude | <= 3280.84 ft (1000 m) without derating > 3280.84...6561.68 ft (> 1000...2000 m) with current derating of 2.2 % per additional 100 m |

Ordering and shipping details

| | |
|-------------------|----------------------------|
| Category | 22579-OPEN ATS48 ALTISTART |
| Discount Schedule | CP1G |
| GTIN | 3389110982367 |
| Returnability | No |
| Country of origin | ID |

Packing Units

| | |
|------------------------------|--------------------------|
| Unit Type of Package 1 | PCE |
| Number of Units in Package 1 | 1 |
| Package 1 Height | 13.39 in (34 cm) |
| Package 1 Width | 16.93 in (43 cm) |
| Package 1 Length | 18.11 in (46 cm) |
| Package 1 Weight | 32.83 lb(US) (14.892 kg) |
| Unit Type of Package 2 | P06 |
| Number of Units in Package 2 | 2 |
| Package 2 Height | 28.94 in (73.5 cm) |
| Package 2 Width | 31.50 in (80 cm) |
| Package 2 Length | 23.62 in (60 cm) |
| Package 2 Weight | 85.98 lb(US) (39 kg) |

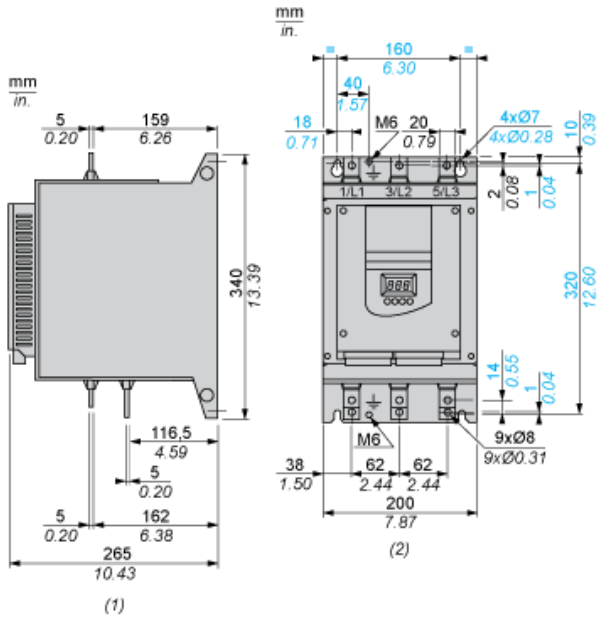
Offer Sustainability

| | |
|----------------------------|---|
| Sustainable offer status | Green Premium product |
| California proposition 65 | WARNING: This product can expose you to chemicals including: Lead and lead compounds, which is known to the State of California to cause cancer and birth defects or other reproductive harm. For more information go to www.P65Warnings.ca.gov |
| REACH Regulation | REACH Declaration |
| EU RoHS Directive | Pro-active compliance (Product out of EU RoHS legal scope) EU RoHS Declaration |
| Mercury free | Yes |
| China RoHS Regulation | China RoHS Declaration |
| RoHS exemption information | Yes |
| Environmental Disclosure | Product Environmental Profile |
| Circularity Profile | End Of Life Information |
| WEEE | The product must be disposed on European Union markets following specific waste collection and never end up in rubbish bins. |

Contractual warranty

| | |
|----------|-----------|
| Warranty | 18 months |
|----------|-----------|

Dimensions



- (1) Right View
- (2) Front View

Clearance

