



Main

Product Destination	Circuit breaker H-Frame 15...250 A Circuit breaker J-Frame 15...250 A
---------------------	--

Complementary

Width	14.47 in (367.54 mm)
Height	31.05 in (788.67 mm)
Depth	6.28 in (159.51 mm)

Environmental

NEMA Degree of Protection	NEMA 3R
NEMA Degree of Protection	NEMA 3R

Ordering and shipping details

Category	00030 - IND CB ENCL NEMA 1,3R
Discount Schedule	DE1
GTIN	785901607861
Nbr. of units in pkg.	1
Package weight(Lbs)	33.96 lb(US) (15.405 kg)
Returnability	Yes
Country of origin	MX

Packing Units

Unit Type of Package 1	PCE
Package 1 Height	8.50 in (21.59 cm)
Package 1 width	15.10 in (38.354 cm)
Package 1 Length	32.40 in (82.296 cm)
Unit Type of Package 2	PAL
Number of Units in Package 2	12
Package 2 Weight	441.00 lb(US) (200.034 kg)
Package 2 Height	39.00 in (99.06 cm)
Package 2 width	40.00 in (101.6 cm)
Package 2 Length	48.00 in (121.92 cm)

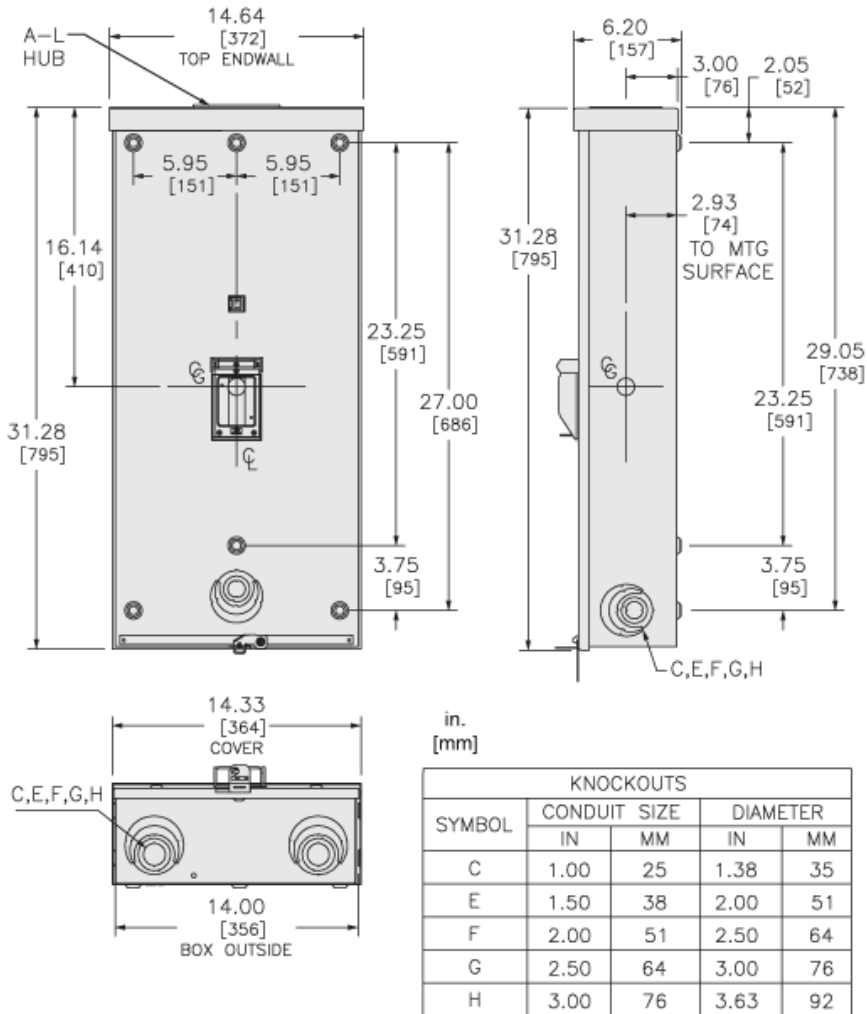
Offer Sustainability

Sustainable offer status	Green Premium product
California proposition 65	WARNING: This product can expose you to chemicals including: Lead and lead compounds, which is known to the State of California to cause cancer and birth defects or other reproductive harm. For more information go to www.P65Warnings.ca.gov
REACH Regulation	REACH Declaration
EU RoHS Directive	Compliant EU RoHS Declaration
Toxic heavy metal free	Yes
Mercury free	Yes
RoHS exemption information	Yes
China RoHS Regulation	China RoHS Declaration
Environmental Disclosure	Product Environmental Profile
PVC free	Yes
Halogen content performance	Halogen free plastic parts product

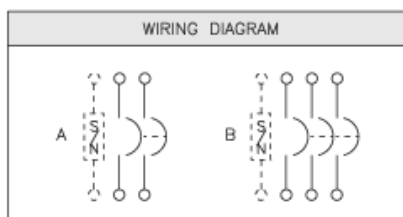
Contractual warranty

Warranty	18 months
----------	-----------

Approximate Dimensions



Connections and Wiring Diagrams



▲H150R AND J250R NEMA TYPE 3R

CIRCUIT BREAKER CATALOG NO. PREFIX	AMPERE RATING	CONDUCTORS PER PHASE	WIRE SIZE (AWG/KCMIL)		TYPE
			MAX	MIN	
HD, HG HJ, HL, HR	15–150	1	#3/0	#14	AL/CU
JD, JG JJ, JL, JR	150–175	1	#4/0	#4	AL/CU
	200–250	1	350	#3/0	

CATALOG NUMBER	MAXIMUM AMPERE RATING	NUMBER OF TERMINALS	CONDUCTORS PER TERMINAL	WIRE SIZE (AWG/KCMIL)		TYPE
				MAX	MIN	
SN100FA	100A	2	1	#1/0	#14	CU
				#1/0	#12	AL
SN400LA	250A	2	1 OR 2	#600	#1	AL OR CU
		2	1	#300	#4	AL OR CU
PKOGTJ250	250A	2	1	#300	#6	AL OR CU
PKOGTH150	150A	2	1	#2	#14	AL OR CU

FOR 200% NEUTRALS USE SN400LA (AMP RANGE 100 TO 250, CU WIRE ONLY).

CIRCUIT BREAKER CATALOG NO PREFIX	WIRING DIAG	AMPERE RATING	UL LISTED INTERRUPTING RATING RMS SYMMETRICAL AMPERES							
			AC VOLTAGE				DC VOLTAGE			
			240	480Y/277	480	600Y/347	600	125	250	500
▲HD JD	A,B	15–150	25K	18K	18K	14K	14K	20K	20K	–
	A,B	150–250	25K	18K	18K	14K	14K	20K	20K	–
▲HG JG	A,B	15–150	65K	35K	35K	18K	18K	20K	20K	–
	A,B	150–250	65K	35K	35K	18K	18K	20K	20K	–
HJ JJ	A,B	15–150	100K	65K	65K	25K	25K	20K	20K	–
	A,B	150–250	100K	65K	65K	25K	25K	20K	20K	–
HL JL	A,B	15–150	125K	65K	65K	25K	25K	20K	20K	–
	A,B	150–250	125K	65K	65K	25K	25K	20K	20K	–
HR JR	A,B	15–150	125K	65K	65K	25K	25K	20K	20K	–
	A,B	150–250	125K	65K	65K	25K	25K	20K	20K	–

▲H150R SUITABLE ONLY FOR 2 POLE HD OR HG BREAKERS.