

XALD02

Empty control station, Harmony XALD, XALK, plastic, dark grey lid, for push button 22mm, 2 cut outs



Main

Range of Product	Harmony XALD
Product or Component Type	Empty control station
Device short name	XALD
Product destination	For XB5 Ø 22 mm control and signalling units
Number of cut-out	2 cut-outs
Colour of base of enclosure	Light grey RAL 7035)
Colour of cover	Dark grey RAL 7016)
Material	Polycarbonate
Cable entry	2 knock-outs for cable entry 0.6 in (14 mm) 2 knock-outs for Pg 13 cable gland and ISO M20 0.5 in (12 mm)
IP degree of protection	IP66 IEC 60529 IP67 IP69 IP69K

Complementary

Assembly style	For customer assembly
Number of horizontal rows	1
Number of vertical rows	2
Net Weight	0.425 lb(US) (0.193 kg)
Resistance to high pressure washer	1015.3 psi (7000000 Pa) 131 °F (55 °C) 0.1 m
Mounting of block	Front mounting Rear mounting
Electrical composition code	MF1 MF2 PR1 SF1 SR1 MR1 SR2 PF2 PF1 SF2
Main group	2 cut-outs
Group of product	Standard grey

Environment

Protective treatment	TH
Ambient Air Temperature for Storage	-40...158 °F (-40...70 °C)
Ambient Air Temperature for Operation	-40...158 °F (-40...70 °C)
Overvoltage category	Class II IEC 60536
NEMA degree of protection	NEMA 13 NEMA 4X

The information provided in this documentation contains general descriptions and/or technical characteristics of the performance of the products contained herein. This documentation is not intended as a substitute for and is not to be used for determining suitability or reliability of these products for specific user applications. It is the duty of any such user or integrator to perform the appropriate and complete risk analysis, evaluation and testing of the products with respect to the relevant specific application or use thereof. Neither Schneider Electric Industries SAS nor any of its affiliates or subsidiaries shall be responsible or liable for misuse of the information contained herein.

IK degree of protection	IK03 conforming to IEC 62262
Standards	IEC 60947-5-4 UL 508 IEC 60947-5-5 IEC 60947-5-1 JIS C8201-5-1 IEC 60947-1 CSA C22.2 No 14 JIS C8201-1

Ordering and shipping details

Category	22475-WALL STATIONS
Discount Schedule	CS2
GTIN	3389110114744
Returnability	No
Country of origin	FR

Packing Units

Unit Type of Package 1	PCE
Number of Units in Package 1	1
Package 1 Height	3.150 in (8.000 cm)
Package 1 Width	4.213 in (10.700 cm)
Package 1 Length	2.756 in (7.000 cm)
Package 1 Weight	6.526 oz (185.000 g)
Unit Type of Package 2	S03
Number of Units in Package 2	36
Package 2 Height	11.811 in (30.000 cm)
Package 2 Width	11.811 in (30.000 cm)
Package 2 Length	15.748 in (40.000 cm)
Package 2 Weight	15.602 lb(US) (7.077 kg)
Unit Type of Package 3	P06
Number of Units in Package 3	288
Package 3 Height	29.528 in (75.000 cm)
Package 3 Width	23.622 in (60.000 cm)
Package 3 Length	31.496 in (80.000 cm)
Package 3 Weight	148.777 lb(US) (67.484 kg)

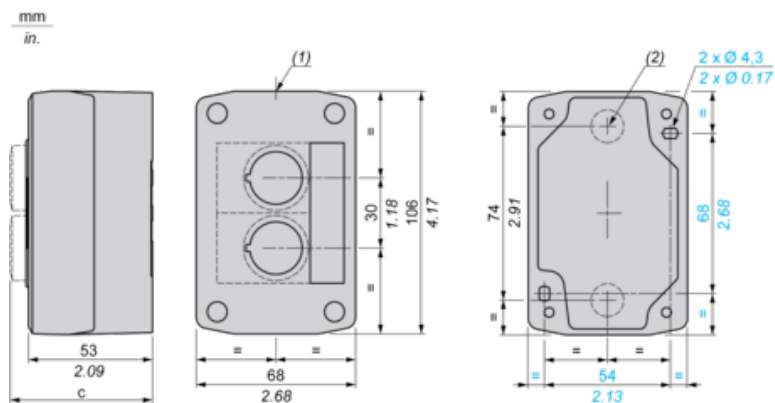
Offer Sustainability

Sustainable offer status	Green Premium product
REACH Regulation	REACH Declaration
REACH free of SVHC	Yes
EU RoHS Directive	Pro-active compliance (Product out of EU RoHS legal scope) EU RoHS Declaration
Toxic heavy metal free	Yes
Mercury free	Yes
China RoHS Regulation	China RoHS Declaration
RoHS exemption information	Yes
Environmental Disclosure	Product Environmental Profile
Circularity Profile	End Of Life Information

Contractual warranty

Warranty	18 months
----------	-----------

Dimensions



(1) 2 knock-outs for Pg 13.5 cable gland, maximum capacity 12 mm/0.47 in.

(2) Knock-out for cable entry, maximum capacity 14 mm/0.55 in.

Control station fitted with:	c in mm	c in in.
Flush pushbutton	62	2.44
Pilot light	64	2.52
Illuminated pushbutton	65.5	2.58
Projecting pushbutton	66	2.60
Selector switch	80	3.15
Mushroom head pushbutton	91.5	3.58
Latching mushroom head Emergency stop pushbutton with key	115	4.53
Key switch	105.5	4.15