

Product data sheet

Characteristics

XVUC28

Modular tower light, Harmony XVU, illuminated LED units, yellow, 60mm, steady, IP65, 24V AC DC



Main

| | |
|------------------------------------|---------------------|
| Range of Product | Harmony XVU |
| Product or Component Type | Modular tower light |
| Beacon or indicator bank unit type | LED unit |
| Mounting diameter | 2.4 in (60 mm) |
| Component name | XVU |
| Light source | LED, yellow |
| Device Application | Automotive |

Complementary

| | |
|--------------------------------|----------------------------------|
| Signalling type | Steady |
| Assembly style | Customer assembly, up to 5 units |
| Material | PC (polycarbonate) V-2 UL 94 |
| [Us] Rated Supply Voltage | 24 V AC/DC |
| Maximum power dissipation in W | 2.5 W |
| Current consumption | <= 50 mA |
| Signalling type | Steady |
| Length | 2.0 in (50 mm) |
| Net Weight | 0.141 lb(US) (0.064 kg) |

Environment

| | |
|---------------------------------------|----------------------------|
| Product Certifications | CE |
| Ambient Air Temperature for Storage | -40...158 °F (-40...70 °C) |
| IP degree of protection | IP65 |
| Ambient Air Temperature for Operation | -13...122 °F (-25...50 °C) |
| Vibration resistance | 2 gn |

Ordering and shipping details

| | |
|-------------------|---------------|
| Category | US100XV22618 |
| Discount Schedule | 00XV |
| GTIN | 3606480711589 |
| Returnability | Yes |
| Country of origin | ID |

Packing Units

| | |
|------------------------------|-------------------|
| Unit Type of Package 1 | PCE |
| Number of Units in Package 1 | 1 |
| Package 1 Height | 3.5 in (9.0 cm) |
| Package 1 Width | 5.1 in (13.0 cm) |
| Package 1 Length | 3.5 in (9.0 cm) |
| Package 1 Weight | 5.08 oz (144.0 g) |

| | |
|------------------------------|-------------------------|
| Unit Type of Package 2 | S03 |
| Number of Units in Package 2 | 24 |
| Package 2 Height | 11.8 in (30 cm) |
| Package 2 Width | 11.8 in (30 cm) |
| Package 2 Length | 15.7 in (40 cm) |
| Package 2 Weight | 9.191 lb(US) (4.169 kg) |
| Unit Type of Package 3 | P06 |
| Number of Units in Package 3 | 192 |
| Package 3 Height | 29.5 in (75 cm) |
| Package 3 Width | 23.6 in (60 cm) |
| Package 3 Length | 31.5 in (80 cm) |
| Package 3 Weight | 90.79 lb(US) (41.18 kg) |

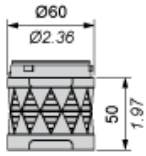
Offer Sustainability

| | |
|----------------------------|---|
| Sustainable offer status | Green Premium product |
| California proposition 65 | WARNING: This product can expose you to chemicals including: Lead and lead compounds, which is known to the State of California to cause cancer and birth defects or other reproductive harm. For more information go to www.P65Warnings.ca.gov |
| REACH Regulation | REACH Declaration |
| EU RoHS Directive | Pro-active compliance (Product out of EU RoHS legal scope) |
| Mercury free | Yes |
| China RoHS Regulation | China RoHS Declaration |
| RoHS exemption information | Yes |
| Environmental Disclosure | Product Environmental Profile |
| Circularity Profile | End Of Life Information |

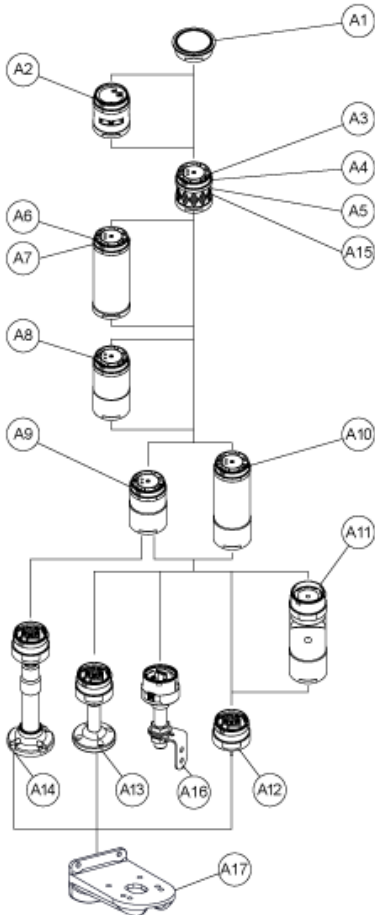
Illuminated LED Unit

Dimensions

$\frac{\text{mm}}{\text{in.}}$



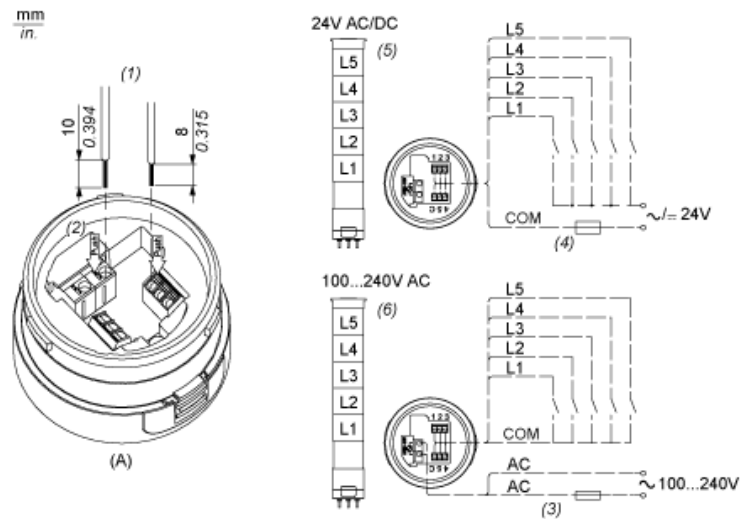
Modular Tower Lights Mounting



| Drawing | Part number | Part name |
|----------|----------------------|------------------------------|
| A1 | - | Top cover |
| - | Top cover (Silver) | |
| A2 | XVUC9S | Buzzer unit |
| XVUC9SQ | Buzzer unit (Silver) | |
| A3 | XVUC23 | Green LED unit |
| XVUC24 | Red LED unit | |
| XVUC25 | Orange LED unit | |
| XVUC26 | Blue LED unit | |
| XVUC27 | White LED unit | |
| XVUC28 | Yellow LED unit | |
| A4 | XVUC29 | Multi-LED unit |
| A5 | XVUC29P | Multi-LED unit, Pulse signal |
| A6 | XVUC9V | Sound unit |
| A7 | XVUC9VP | Sound unit, Pulse signal |
| A8 | XVUC020 | Extender |
| XVUC020Q | Extender (Silver) | |
| A9 | XVUC21B | DC body |

| Drawing | Part number | Part name |
|-----------|--|---|
| XVUC21BQ | DC body (Silver) | |
| A10 | XVUC21M | AC body NPN |
| XVUC21MP | AC body PNP | |
| XVUC21MQP | AC body PNP (Silver) | |
| A11 | XVUZ06 | Flexible option |
| A12 | XVUZ01 | Fixing Unit - Direct mounting (3 pins) |
| XVUZ01Q | Fixing Unit - Direct mounting (Silver,3 pins) | |
| XVUZ03 | Fixing Unit - Direct mounting (2 pins) | |
| XVUZ04 | Fixing Unit - Direct mounting (4 pins) | |
| A13 | XVUZ02 | Fixing Unit - Plate with Pole (100 mm) |
| XVUZ02Q | Fixing Unit - Plate with Pole (100 mm, Silver) | |
| XVUZ400 | Fixing Unit - Plate with Pole (400 mm) | |
| XVUZ800 | Fixing Unit - Plate with Pole (800 mm) | |
| A14 | XVUZ05 | Fixing Unit - Plate with adjustment pole (100-385 mm) |
| A15 | XVUC43 | Green LED unit, Flash |
| XVUC44 | Red LED unit, Flash | |
| XVUC45 | Orange LED unit, Flash | |
| XVUC46 | Blue LED unit, Flash | |
| XVUC47 | White LED unit, Flash | |
| XVUC48 | Yellow LED unit, Flash | |
| A16 | XVUZ100T | Fixing Unit - Metal bracket with pole (100 mm) |
| XVUZ250T | Fixing Unit - Metal bracket with pole(250 mm) | |
| XVUZ400T | Fixing Unit - Metal bracket with pole (400 mm) | |
| A17 | XVUZ12 | Fixing plate for use on vertical support - black |

Illuminated Units, Multi-LED and Audible Units Wiring



- (A) Fixing Unit
- (1) Dimensions of Wiring size
- (2) Push-in Wire Connectors
- (3) Fuse : 2A ,250V
- (4) Fuse : 0.5A ,125V
- (5) Modular Tower Lights 24V AC/DC
- (6) Modular Tower Lights 100...240V AC
- L1 to Illuminated LED Units
- L5 :