

Main

Range of product	Modicon ABE7
Product or component type	Connection sub-base for counter and analogue channels
Number of channels	8
Connections - terminals	Spring terminal, 1 x 0.09...1 x 1.5 mm ² (AWG 28...AWG 16) flexible with cable end Spring terminal, 1 x 0.14...1 x 2.5 mm ² (AWG 26...AWG 12) solid Spring terminal, 1 x 0.14...1 x 2.5 mm ² (AWG 26...AWG 14) flexible without cable end

Complementary

Function of module	Isolated analogue input, compatible with Premium
[Uc] control circuit voltage	24 V DC
Connection to PLC	SUB-D 25
Fixing mode	By clips (35 mm symmetrical DIN rail) By screws (solid plate with fixing kit)
[Ui] rated insulation voltage	2000 V terminals/mounting rails
Installation category	II conforming to IEC 60664-1
Tightening torque	0.6 N.m with flat Ø 3.5 mm screwdriver
Net weight	0.41 kg

Environment

IP degree of protection	IP20 conforming to IEC 60529
Protective treatment	TC
Resistance to incandescent wire	750 °C, extinction time <30 s conforming to IEC 60695-2-11
Shock resistance	15 gn for 11 ms conforming to IEC 60068-2-27
Vibration resistance	2 gn (f= 10...150 Hz) conforming to IEC 60068-2-6
Resistance to electrostatic discharge	4 kV (contact) level 3 conforming to IEC 61000-4-2 8 kV (air) level 3 conforming to IEC 61000-4-2
Resistance to radiated fields	10 V/m (26000000...1000000000 Hz) conforming to IEC 61000-4-3 level 3
Resistance to fast transients	2 kV level 3 conforming to IEC 61000-4-4
Ambient air temperature for operation	0...60 °C conforming to IEC 61131-2
Ambient air temperature for storage	-40...80 °C conforming to IEC 61131-2
Pollution degree	2 conforming to IEC 60664-1

Packing Units

Unit Type of Package 1	PCE
Number of Units in Package 1	1
Package 1 Height	7.000 cm
Package 1 Width	8.000 cm
Package 1 Length	21.000 cm
Package 1 Weight	465.000 g

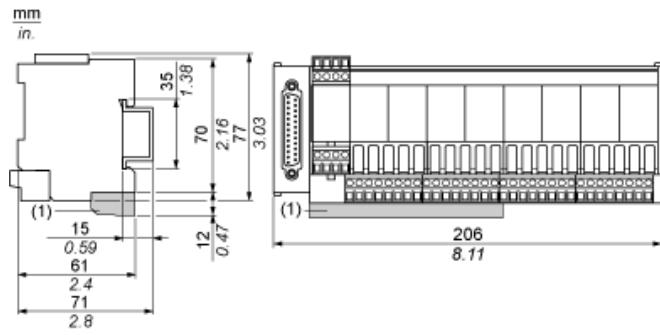
Offer Sustainability

REACH Regulation	REACH Declaration
EU RoHS Directive	Pro-active compliance (Product out of EU RoHS legal scope)
Mercury free	Yes
China RoHS Regulation	China RoHS Declaration
RoHS exemption information	Yes
WEEE	The product must be disposed on European Union markets following specific waste collection and never end up in rubbish bins
California proposition 65	WARNING: This product can expose you to chemicals including: Lead and lead compounds, which is known to the State of California to cause cancer and birth defects or other reproductive harm. For more information go to www.P65Warnings.ca.gov

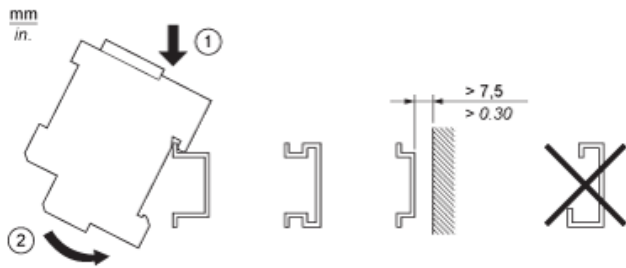
Contractual warranty

Warranty	18 months
----------	-----------

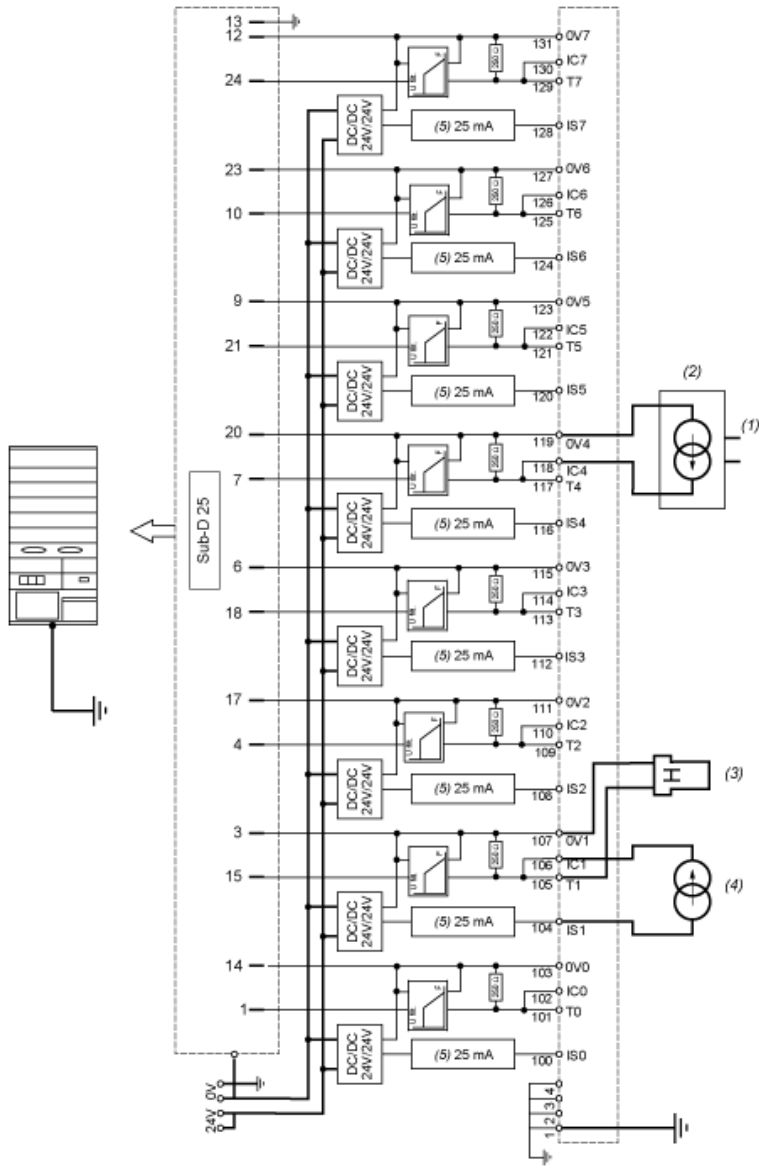
Dimensions



Mounting



Wiring Diagram



- (1) Power supply
- (2) 4-wire sensor
- (3) Pocket HART
- (4) 2-wire sensor
- (5) Protection