



Main

| | |
|--------------------------------|---|
| Range of product | Modicon ABE7 |
| Product or component type | Passive discrete I/O sub-base |
| Sub-base type | I/O sub-base |
| [Us] rated supply voltage | 19...30 V conforming to IEC 61131-2 |
| Number of channels | 16 |
| Number of terminal per channel | 1 |
| Connections - terminals | Screw type terminals, 1 x 0.09...1 x 1.5 mm ² (AWG 28...AWG 16) flexible with cable end Screw type terminals, 1 x 0.14...1 x 2.5 mm ² (AWG 26...AWG 12) solid Screw type terminals, 1 x 0.14...1 x 2.5 mm ² (AWG 26...AWG 14) flexible without cable end Screw type terminals, 2 x 0.09...2 x 0.75 mm ² (AWG 28...AWG 20) flexible with cable end Screw type terminals, 2 x 0.2...2 x 2.5 mm ² (AWG 24...AWG 14) solid |

Complementary

| | |
|-----------------------------------|--|
| Supply voltage type | DC |
| Number of horizontal rows | 2 |
| Status LED | 1 LED (green) power ON |
| Polarity distribution | No |
| Short-circuit protection | 2 A internal fuse, 5 x 20 mm, fast blow (PLC end) |
| Connector type | HE-10 |
| Pin number | 20 pins |
| Fixing mode | By clips (35 mm symmetrical DIN rail) By screws (solid plate with fixing kit) |
| Maximum supply current | 1.8 A |
| Current per channel | 0.5 A |
| Maximum current per output common | 1.8 A |
| Voltage drop on power supply fuse | 0.3 V |
| [Ui] rated insulation voltage | 2000 V |
| Installation category | II conforming to IEC 60664-1 |
| Tightening torque | 0.6 N.m with flat Ø 3.5 mm screwdriver |
| Width | 84 mm |
| Net weight | 0.196 kg |

Environment

| | |
|---------------------------------------|--|
| Product certifications | DNV[RETURN]JUL[RETURN]CSA[RETURN]JGL[RETURN]EAC |
| IP degree of protection | IP2X conforming to IEC 60529 |
| Resistance to incandescent wire | 750 °C conforming to IEC 60695-2-11 |
| Shock resistance | 15 gn for 11 ms conforming to IEC 60068-2-27 |
| Vibration resistance | 2 gn (f= 10...150 Hz) conforming to IEC 60068-2-6 |
| Resistance to electrostatic discharge | 4 kV (contact) level 3 conforming to IEC 61000-4-2 8 kV (air) level 3 conforming to IEC 61000-4-2 |
| Resistance to radiated fields | 10 V/m (26000000...100000000 Hz) conforming to IEC 61000-4-3 level 3 |

| | |
|---------------------------------------|--|
| Resistance to fast transients | 2 kV level 3 conforming to IEC 61000-4-4 |
| Ambient air temperature for operation | -5...60 °C conforming to IEC 61131-2 |
| Ambient air temperature for storage | -40...80 °C conforming to IEC 61131-2 |
| Pollution degree | 2 conforming to IEC 60664-1 |

Packing Units

| | |
|------------------------------|----------|
| Unit Type of Package 1 | PCE |
| Number of Units in Package 1 | 1 |
| Package 1 Height | 7.0 cm |
| Package 1 Width | 8.3 cm |
| Package 1 Length | 9.7 cm |
| Package 1 Weight | 217.0 g |
| Unit Type of Package 2 | S03 |
| Number of Units in Package 2 | 36 |
| Package 2 Height | 30.0 cm |
| Package 2 Width | 30.0 cm |
| Package 2 Length | 40.0 cm |
| Package 2 Weight | 8.194 kg |

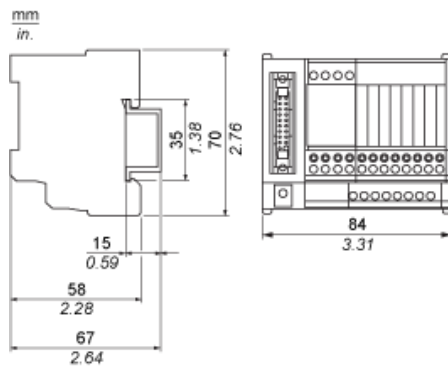
Offer Sustainability

| | |
|----------------------------|---|
| Sustainable offer status | Green Premium product |
| REACH Regulation | REACH Declaration |
| EU RoHS Directive | Pro-active compliance (Product out of EU RoHS legal scope) |
| Mercury free | Yes |
| China RoHS Regulation | China RoHS Declaration |
| RoHS exemption information | Yes |
| Environmental Disclosure | Product Environmental Profile |
| Circularity Profile | End Of Life Information |
| WEEE | The product must be disposed on European Union markets following specific waste collection and never end up in rubbish bins |
| California proposition 65 | WARNING: This product can expose you to chemicals including: Lead and lead compounds, which is known to the State of California to cause cancer and birth defects or other reproductive harm. For more information go to www.P65Warnings.ca.gov |

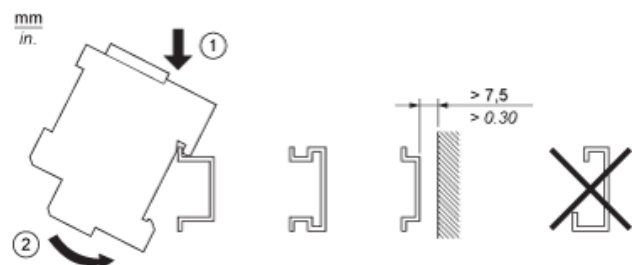
Contractual warranty

| | |
|----------|-----------|
| Warranty | 18 months |
|----------|-----------|

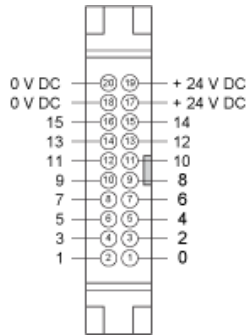
Dimensions



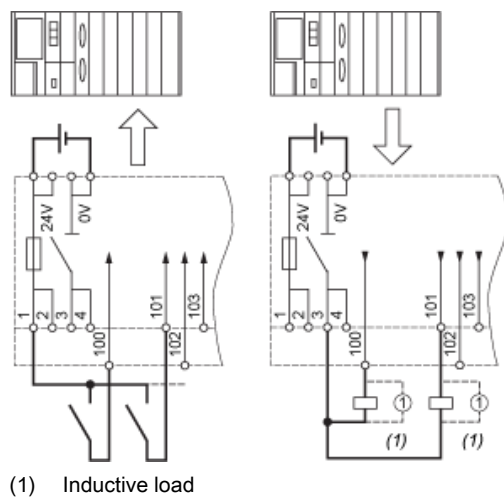
Mounting



HE10 16 Channels

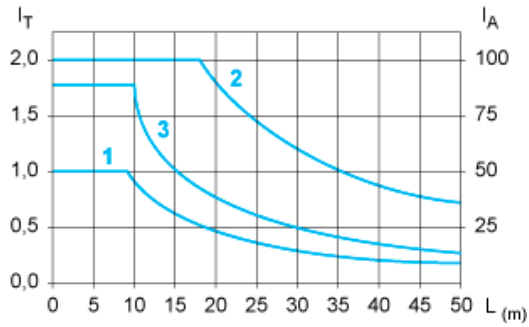


Wiring Diagrams



Curves for Determining Cable Type and Length According to the Current

16-channel Sub-base



L Cable length

I_T Total current per sub base (A)

I_A Average current per channel (mA)

(1) TSXCDP••2 and ABFH20H••0 cables with c.s.a. 0.08 mm² (AWG 28).

(2) TSXCDP••3 cables with c.s.a. 0.34 mm² (AWG 22).

(3) Cables with c.s.a. 0.13 mm² (AWG 26).

The curves are given for a voltage drop of 1 V in the cable. For n volts tolerance, multiply the length determined from the graph by n.