



Main

Range of product	Modicon M580
Product or component type	Communication module
Product compatibility	BMEXBP... - Ethernet + X-bus rack
Concept	Transparent Ready

Complementary

Integrated connection type	3 Ethernet, connector type: RJ45, transmission rate: 10/100 Mbit/s, transmission mode: double shielded twisted pair
Web server	Basic
Transmission support medium	Ethernet backplane
Communication service	Bandwidth management FDR server SNMP network administrator Modbus TCP I/O Scanner and Messaging Ethernet/IP I/O Scanner and Messaging RSTP support Port mirroring Embedded multiport switch
Port Ethernet	10BASE-T/100BASE-TX
Supply	Internal power supply via rack
Marking	CE
Module format	Standard
Current consumption	900 mA at 3.3 V DC (for product version >= 13) 1800 mA at 3.3 V DC (for product version < 13)
Net weight	0.2 kg

Environment

Ambient air temperature for operation	0...60 °C
IP degree of protection	IP20
Directives	2014/35/EU - low voltage directive 2014/30/EU - electromagnetic compatibility
Local signalling	1 LED (green) for processor running (RUN) 1 LED (red) for processor or system fault (ERR) 1 LED (green/red) for ETH MS (Ethernet port configuration status) 1 LED (green/red) for Eth NS (Ethernet network status)

Packing Units

Unit Type of Package 1	PCE
Number of Units in Package 1	1
Package 1 Height	5.500 cm
Package 1 Width	11.200 cm
Package 1 Length	12.000 cm

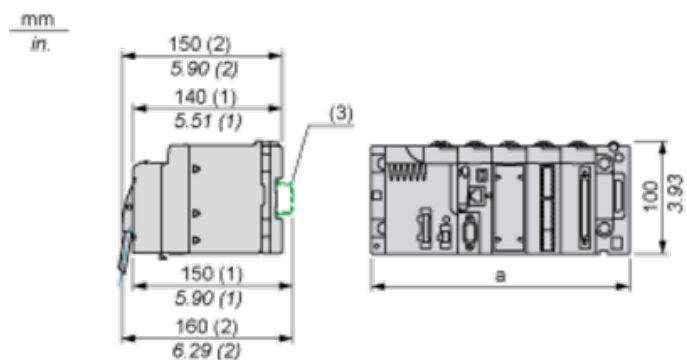
Package 1 Weight	254.000 g
Unit Type of Package 2	S02
Number of Units in Package 2	15
Package 2 Height	15.000 cm
Package 2 Width	30.000 cm
Package 2 Length	40.000 cm
Package 2 Weight	4.136 kg

Offer Sustainability

Sustainable offer status	Green Premium product
REACH Regulation	REACH Declaration
EU RoHS Directive	Pro-active compliance (Product out of EU RoHS legal scope)
Mercury free	Yes
China RoHS Regulation	China RoHS Declaration
RoHS exemption information	Yes
Environmental Disclosure	Product Environmental Profile
Circularity Profile	End Of Life Information
WEEE	The product must be disposed on European Union markets following specific waste collection and never end up in rubbish bins
California proposition 65	WARNING: This product can expose you to chemicals including: Lead and lead compounds, which is known to the State of California to cause cancer and birth defects or other reproductive harm. For more information go to www.P65Warnings.ca.gov

Modules Mounted on Racks

Dimensions



(1) With removable terminal block (cage, screw or spring).

(2) With FCN connector.

(3) On AM1 ED rail: 35 mm wide, 15 mm deep. Only possible with BMXXBP0400/0400H/0600/0600H/0800/0800H rack.

Rack references	a in mm	a in in.
BMXXBP0400 and BMXXBP0400H	242.4	09.54
BMXXBP0600 and BMXXBP0600H	307.6	12.11
BMXXBP0800 and BMXXBP0800H	372.8	14.68
BMXXBP1200 and BMXXBP1200H	503.2	19.81