



Main

| | |
|---------------------------|-----------------------------------|
| Range of product | Modicon M580 |
| Product or component type | Communication module |
| Product compatibility | BMEXBP... - Ethernet + X-bus rack |
| Concept | Transparent Ready |

Complementary

| | |
|-----------------------------|------------------------------------------------------------------------------------------------------------------------------------------------------------------------------------------------------------------|
| Integrated connection type | 3 Ethernet, connector type: RJ45, transmission rate: 10/100 Mbit/s, transmission mode: double shielded twisted pair |
| Web server | Advanced |
| Transmission support medium | Ethernet backplane |
| Communication service | Bandwidth management FDR server SNMP network administrator Modbus TCP I/O Scanner and Messaging Ethernet/IP I/O Scanner and Messaging RSTP support Port mirroring Embedded multiport switch |
| Web services | FactoryCast configurable |
| Port Ethernet | 10BASE-T/100BASE-TX |
| Supply | Internal power supply via rack |
| Marking | CE |
| Module format | Standard |
| Current consumption | 900 mA at 3.3 V DC (for product version >= 13) 1800 mA at 3.3 V DC (for product version < 13) |
| Net weight | 0.2 kg |

Environment

| | |
|---------------------------------------|-----------------------------------------------------------------------------------------------------------------------------------------------------------------------------------------------------------------------------|
| Ambient air temperature for operation | 0...60 °C |
| IP degree of protection | IP20 |
| Directives | 2014/35/EU - low voltage directive 2014/30/EU - electromagnetic compatibility |
| Local signalling | 1 LED (green) for processor running (RUN) 1 LED (red) for processor or system fault (ERR) 1 LED (green/red) for ETH MS (Ethernet port configuration status) 1 LED (green/red) for Eth NS (Ethernet network status) |

Packing Units

| | |
|------------------------------|-----------|
| Unit Type of Package 1 | PCE |
| Number of Units in Package 1 | 1 |
| Package 1 Height | 5.500 cm |
| Package 1 Width | 11.000 cm |
| Package 1 Length | 11.600 cm |
| Package 1 Weight | 255.000 g |

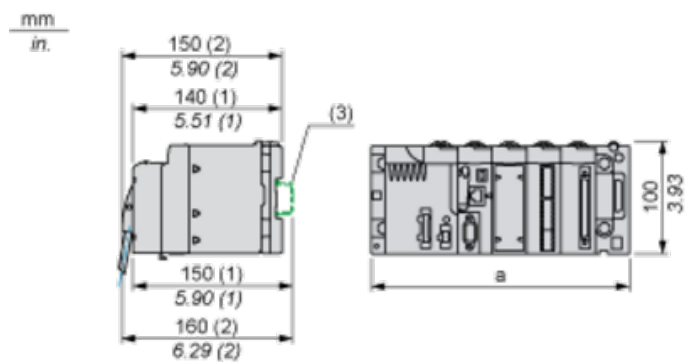
| | |
|------------------------------|-----------|
| Unit Type of Package 2 | S02 |
| Number of Units in Package 2 | 15 |
| Package 2 Height | 15.000 cm |
| Package 2 Width | 30.000 cm |
| Package 2 Length | 40.000 cm |
| Package 2 Weight | 4.088 kg |

Offer Sustainability

| | |
|---------------------------|---------------------------------------------------------------------------------------------------------------------------------------------------------------------------------------------------------------------------------------------------------------------------------------------|
| REACH Regulation | REACH Declaration |
| EU RoHS Directive | Pro-active compliance (Product out of EU RoHS legal scope) |
| Mercury free | Yes |
| China RoHS Regulation | China RoHS Declaration |
| Environmental Disclosure | Product Environmental Profile |
| Circularity Profile | End Of Life Information |
| WEEE | The product must be disposed on European Union markets following specific waste collection and never end up in rubbish bins |
| California proposition 65 | WARNING: This product can expose you to chemicals including: Lead and lead compounds, which is known to the State of California to cause cancer and birth defects or other reproductive harm. For more information go to www.P65Warnings.ca.gov |

Modules Mounted on Racks

Dimensions



(1) With removable terminal block (cage, screw or spring).

(2) With FCN connector.

(3) On AM1 ED rail: 35 mm wide, 15 mm deep. Only possible with BMXXBP0400/0400H/0600/0600H/0800/0800H rack.

| Rack references | a in mm | a in in. |
|----------------------------|---------|----------|
| BMXXBP0400 and BMXXBP0400H | 242.4 | 09.54 |
| BMXXBP0600 and BMXXBP0600H | 307.6 | 12.11 |
| BMXXBP0800 and BMXXBP0800H | 372.8 | 14.68 |
| BMXXBP1200 and BMXXBP1200H | 503.2 | 19.81 |