

BMXDRA0804T

discrete output module, Modicon X80, 8 NO relay outputs, 100 to 150V DC, extended temperature



Main

| | |
|------------------------------|--------------------------------|
| Range of product | Modicon X80 |
| Product or component type | Discrete output module |
| Product specific application | Extended temperature |
| Discrete output number | 8 conforming to EN/IEC 61131-2 |
| Discrete output type | Relay |
| Discrete output voltage | 100...150 V DC |

Complementary

| | |
|---------------------------------|--|
| Insulation resistance | > 10 MOhm 500 V DC |
| Power dissipation in W | 3.17 W |
| Response time on output | < 10 ms activation < 10 ms deactivation |
| Typical current consumption | 61 mA at 3.3 V DC 104 mA at 24 V DC |
| Current consumption | <= 112 mA at 3.3 V DC <= 117 mA at 24 V DC |
| MTBF reliability | 2800000 H |
| Output overload protection | Use 1 fast blow fuse per channel or group of channel |
| Output overvoltage protection | Use discharge diode on each output DC |
| Output short-circuit protection | Use 1 fast blow fuse per channel or group of channel |
| Maximum switching current | 0.3 A |
| Minimum switching current | 100 mA 5 V DC |
| Mechanical durability | 20000000 cycles |
| Electrical durability | DC-12: 100000 cycles at 37 W 125 V DC-13: 100000 cycles at 12 W 125 V |
| Status LED | 1 LED (green) module operating (RUN) 1 LED per channel (green) channel diagnostic 1 LED (red) module error (ERR) 1 LED (red) module I/O |
| Net weight | 0.145 kg |

Environment

| | |
|------------------------------|--|
| IP degree of protection | IP20 |
| Directives | 2014/35/EU - low voltage directive 2014/30/EU - electromagnetic compatibility |
| Environmental characteristic | Gas resistant class Gx Gas resistant class 3C4 Dust resistant class 3S4 Sand resistant class 3S4 Salt resistant level 2 Mold growth resistant class 3B2 Fungal spore resistant class 3B2 |
| Dielectric strength | 2000 V AC at 50/60 Hz 1 min |
| Vibration resistance | 3 gn |

| | |
|---------------------------------------|--|
| Shock resistance | 30 gn |
| Ambient air temperature for storage | -40...85 °C |
| Ambient air temperature for operation | -25...70 °C |
| Relative humidity | 5...95 % at 55 °C without condensation |
| Protective treatment | Conformal coating |
| Operating altitude | 0...2000 m 2000...5000 m with derating factor |

Packing Units

| | |
|------------------------------|-----------|
| Unit Type of Package 1 | PCE |
| Number of Units in Package 1 | 1 |
| Package 1 Height | 5.500 cm |
| Package 1 Width | 11.000 cm |
| Package 1 Length | 12.500 cm |
| Package 1 Weight | 198.000 g |
| Unit Type of Package 2 | S02 |
| Number of Units in Package 2 | 15 |
| Package 2 Height | 15.000 cm |
| Package 2 Width | 30.000 cm |
| Package 2 Length | 40.000 cm |
| Package 2 Weight | 2.835 kg |

Offer Sustainability

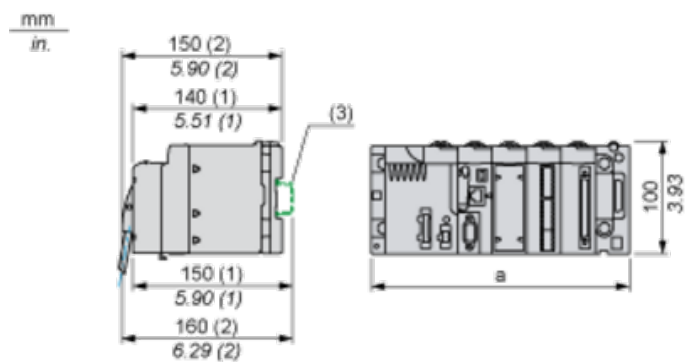
| | |
|----------------------------|---|
| Sustainable offer status | Green Premium product |
| REACH Regulation | REACH Declaration |
| EU RoHS Directive | Pro-active compliance (Product out of EU RoHS legal scope) |
| Mercury free | Yes |
| China RoHS Regulation | China RoHS Declaration |
| RoHS exemption information | Yes |
| Environmental Disclosure | Product Environmental Profile |
| Circularity Profile | End Of Life Information |
| WEEE | The product must be disposed on European Union markets following specific waste collection and never end up in rubbish bins |
| California proposition 65 | WARNING: This product can expose you to chemicals including: Lead and lead compounds, which is known to the State of California to cause cancer and birth defects or other reproductive harm. For more information go to www.P65Warnings.ca.gov |

Contractual warranty

| | |
|----------|-----------|
| Warranty | 18 months |
|----------|-----------|

Modules Mounted on Racks

Dimensions



(1) With removable terminal block (cage, screw or spring).

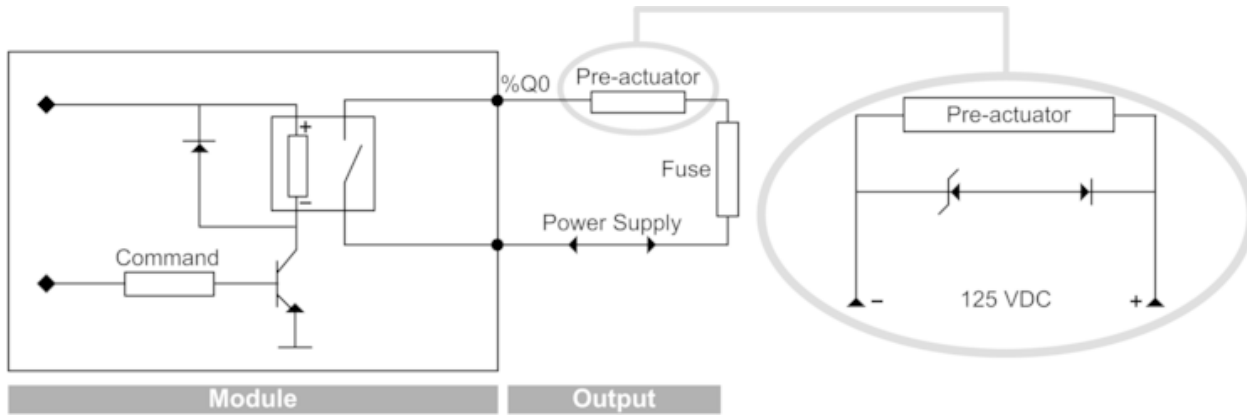
(2) With FCN connector.

(3) On AM1 ED rail: 35 mm wide, 15 mm deep. Only possible with BMXXBP0400/0400H/0600/0600H/0800/0800H rack.

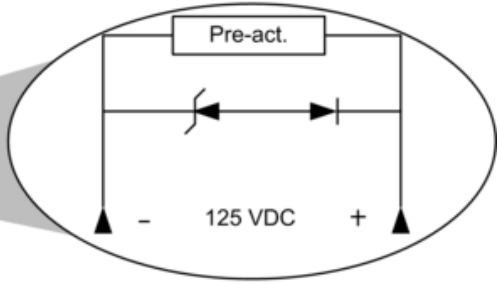
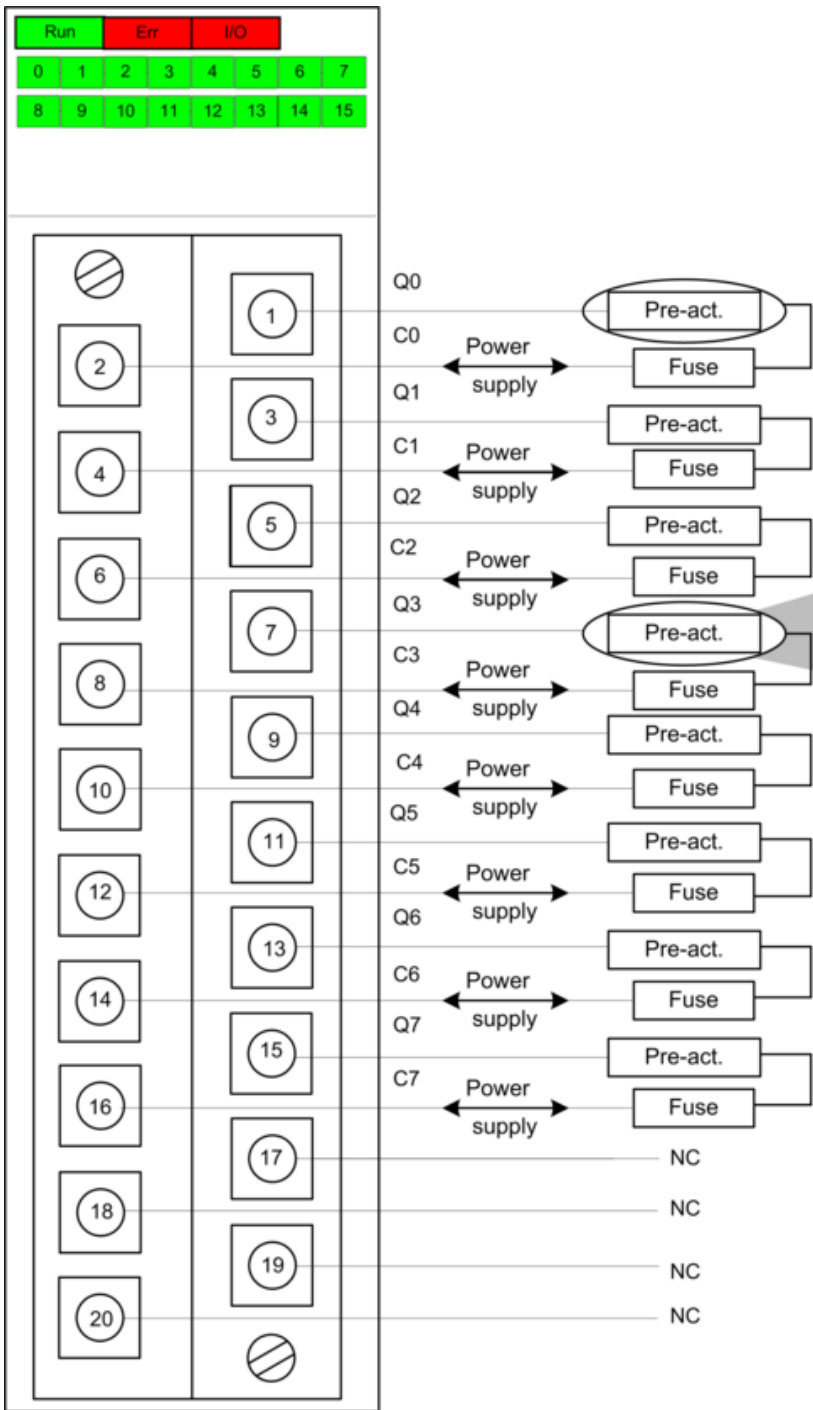
| Rack references | a in mm | a in in. |
|----------------------------|---------|----------|
| BMXXBP0400 and BMXXBP0400H | 242.4 | 09.54 |
| BMXXBP0600 and BMXXBP0600H | 307.6 | 12.11 |
| BMXXBP0800 and BMXXBP0800H | 372.8 | 14.68 |
| BMXXBP1200 and BMXXBP1200H | 503.2 | 19.81 |

Connecting the Module

Output Circuit Diagram



Module Connection



We recommend installing this type of protection on the terminals of each pre-actuator.

power supply 125 VDC (100...150 VDC)

fuse 1 fast blow fuse of 0.5 A, 250 VDC for each relay

NC not connected

NOTE: A Zener Diode voltage of 47 V or slightly higher is recommended.