



Main

Range of product	Modicon M340 automation platform
Product or component type	Counter module
Number of channels	8
Maximum counting frequency	10000 Hz
Number of inputs	2 (single mode) 3 (special dual phase mode)
Input compatibility	19.2...30 V 2-wire/3-wire proximity sensor Incremental encoder with push-pull outputs, 10...30 V totem pole
Input voltage	24 V DC type 3

Complementary

Counter functions	Up/Down counter 32-bit counter counting Frequency meter Loop (modulo) counting Count events Down counting
Cycle time	5 ms
Isolation voltage	1500 V for 60 s
Input type	High speed
Input voltage limits	30 V
Input current	2 mA at 11 V
Voltage state 1 guaranteed	11...30 V
Current state 1 guaranteed	≥ 6 mA
Voltage state 0 guaranteed	< 5 V
Current state 0 guaranteed	≤ 1.5 mA
Electrical connection	1 connector with 20 pins
Current consumption	200 mA at 3.3 V DC bus 80 mA at 24 V DC sensor
Module format	Standard
Net weight	0.113 kg

Environment

Ambient air temperature for operation	0...60 °C
Relative humidity	10...95 % without condensation
IP degree of protection	IP20
Directives	2014/35/EU - low voltage directive 2014/30/EU - electromagnetic compatibility
Protective treatment	TC

Packing Units

Unit Type of Package 1	PCE
Number of Units in Package 1	1
Package 1 Height	5.2 cm
Package 1 Width	11.0 cm
Package 1 Length	11.8 cm

Package 1 Weight	143.0 g
Unit Type of Package 2	S02
Number of Units in Package 2	15
Package 2 Height	15.0 cm
Package 2 Width	30.0 cm
Package 2 Length	40.0 cm
Package 2 Weight	2.39 kg

Offer Sustainability

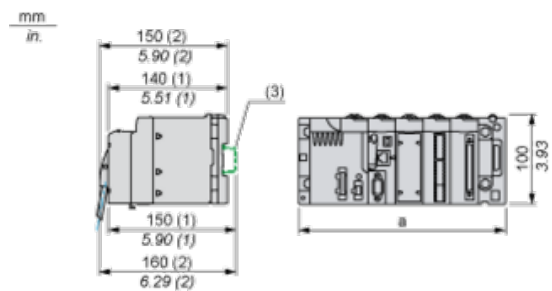
Sustainable offer status	Green Premium product
REACH Regulation	REACH Declaration
EU RoHS Directive	Pro-active compliance (Product out of EU RoHS legal scope)
Mercury free	Yes
China RoHS Regulation	China RoHS Declaration
RoHS exemption information	Yes
Environmental Disclosure	Product Environmental Profile
Circularity Profile	End Of Life Information
WEEE	The product must be disposed on European Union markets following specific waste collection and never end up in rubbish bins
California proposition 65	WARNING: This product can expose you to chemicals including: Lead and lead compounds, which is known to the State of California to cause cancer and birth defects or other reproductive harm. For more information go to www.P65Warnings.ca.gov

Contractual warranty

Warranty	18 months
----------	-----------

Modules Mounted on Racks

Dimensions



(1) With removable terminal block (cage, screw or spring).

(2) With FCN connector.

(3) On AM1 ED rail: 35 mm wide, 15 mm deep. Only possible with BMXXBP0400/0400H/0600/0600H/0800/0800H rack.

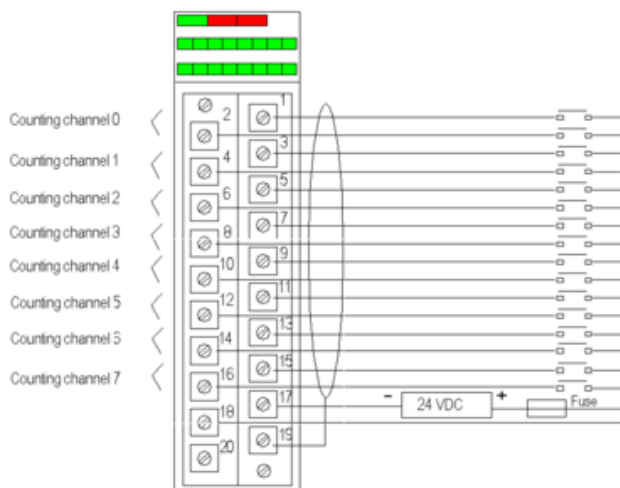
Rack references	a in mm	a in in.
BMXXBP0400 and BMXXBP0400H	242.4	09.54
BMXXBP0600 and BMXXBP0600H	307.6	12.11
BMXXBP0800 and BMXXBP0800H	372.8	14.68
BMXXBP1200 and BMXXBP1200H	503.2	19.81

Counting Module Wiring

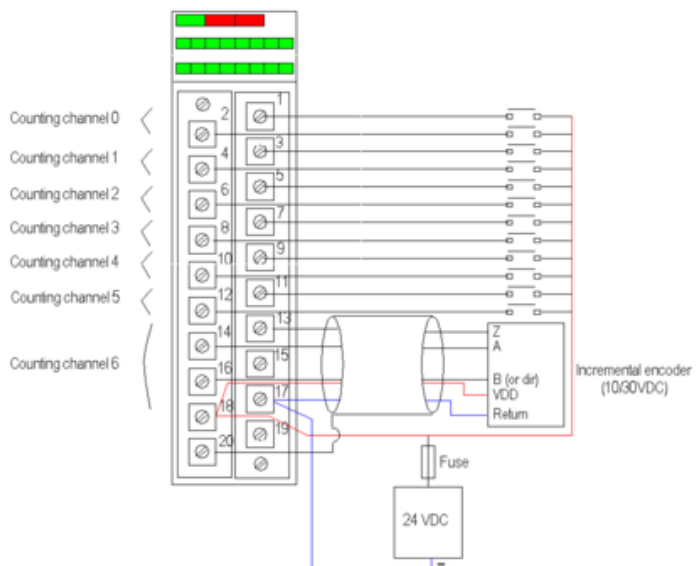
Pin Assignments

IN_A input for channel 0	2	1	IN_AUX input for channel 0
IN_A input for channel 1 or IN_B input for channel 0	4	3	IN_AUX input for channel 1
IN_A input for channel 2	6	5	IN_AUX input for channel 2
IN_A input for channel 3 or IN_B input for channel 2	8	7	IN_AUX input for channel 3
IN_A input for channel 4	10	9	IN_AUX input for channel 4
IN_A input for channel 5 or IN_B input for channel 4	12	11	IN_AUX input for channel 5
IN_A input for channel 6	14	13	IN_AUX input for channel 6
IN_A input for channel 7 or IN_B input for channel 6	16	15	IN_AUX input for channel 7
VDC + power supply for sensors	18	17	Return + 24 V power supply for sensors
Functional earth, for shield continuation	20	19	Functional earth, for shield continuation

Sensor Connection Example



Incremental Encoder Connection Example for Axis Control



Channels 0 to 5 are still used in single mode.
 Channel 7 is no longer available.

Recommended Circuit for a Highly Disturbed Environment Using BMXXSP... Electromagnetic Protection Kit

