



Main

Range of product	Modicon X80
Product or component type	Discrete output module
Discrete output number	4 conforming to EN/IEC 61131-2
Discrete output type	Relay
Discrete output voltage	24...240 V 10...264 V AC 12...24 V 10...34 V DC

Complementary

[I _{th}] conventional free air thermal current	5 A
Insulation resistance	> 10 MOhm 500 V DC
Power dissipation in W	3.9 W
Response time on output	12 ms activation 6 ms deactivation
Typical current consumption	240 mA at 3.3 V DC 130 mA at 24 V DC
MTBF reliability	624000 H
Protection type	External short-circuit protection Overvoltage protection, inductive AC network Overvoltage protection, inductive DC network External overload protection
Output overload protection	Use 1 fast blow fuse per channel or group of channel
Output overvoltage protection	Use discharge diode on each output DC Use RC circuit on each output AC Use ZNO surge limiter on each output AC
Output short-circuit protection	Use 1 fast blow fuse per channel or group of channel
Minimum switching current	10 mA 5 V DC
Maximum switching voltage	230 V AC
Mechanical durability	10000000 cycles
Electrical durability	AC-15: 80000 cycles at 250 VA 250 V at -25...60 °C AC-15: 80000 cycles at 500 VA 250 V at -25...60 °C AC-15: 80000 cycles at 750 VA 250 V at -25...60 °C AC-12: 250000 cycles at 250 VA 250 V at -25...60 °C AC-12: 70000 cycles at 500 VA 250 V at -25...60 °C AC-12: 30000 cycles at 1000 VA 250 V at -25...60 °C DC-13: 80000 cycles at 24 VA 24 V at -25...60 °C DC-13: 50000 cycles at 48 VA 24 V at -25...60 °C DC-13: 30000 cycles at 96 VA 24 V at -25...60 °C DC-12: 1000000 cycles at 24 VA 24 V at -25...60 °C DC-12: 500000 cycles at 48 VA 24 V at -25...60 °C DC-12: 300000 cycles at 120 VA 24 V at -25...60 °C
Switching frequency	<= 50 Hz
Status LED	1 LED (green) module operating (RUN) 1 LED per channel (green) channel diagnostic 1 LED (red) module error (ERR) 1 LED (red) module I/O
Net weight	0.145 kg

The information provided in this documentation contains general descriptions and/or technical characteristics of the products contained herein. This documentation is not intended as a substitute for and is not to be used for determining suitability or reliability of these products for specific user applications. It is the duty of any such user or integrator to perform the appropriate and complete risk analysis, evaluation and testing of the products with respect to the relevant specific application or use thereof. Neither Schneider Electric Industries SAS nor any of its affiliates or subsidiaries shall be responsible or liable for misuse of the information contained herein.

Environment

IP degree of protection	IP20
Environmental characteristic	Gas resistant class Gx Gas resistant class 3C4 Dust resistant class 3S4 Sand resistant class 3S4 Salt resistant level 2 Mold growth resistant class 3B2 Fungal spore resistant class 3B2
Dielectric strength	2000 V AC at 50/60 Hz 1 min
Vibration resistance	3 gn
Shock resistance	15 gn
Ambient air temperature for storage	-40...85 °C
Ambient air temperature for operation	-25...60 °C
Relative humidity	5...95 % at 55 °C without condensation
Protective treatment	Conformal coating
Operating altitude	0...2000 m 2000...5000 m with derating factor

Packing Units

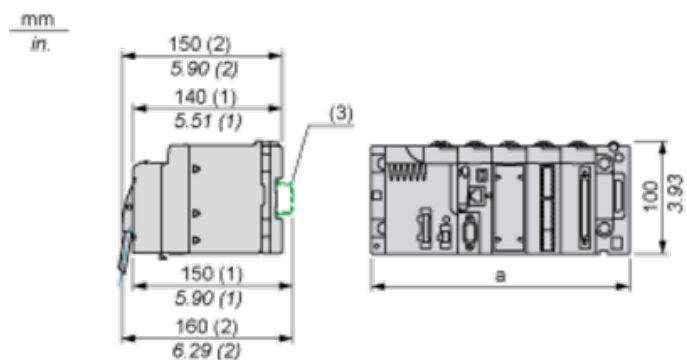
Unit Type of Package 1	PCE
Number of Units in Package 1	1
Package 1 Height	5.500 cm
Package 1 Width	18.000 cm
Package 1 Length	26.000 cm
Package 1 Weight	389.000 g
Unit Type of Package 2	S03
Number of Units in Package 2	8
Package 2 Height	30.000 cm
Package 2 Width	30.000 cm
Package 2 Length	40.000 cm
Package 2 Weight	3.536 kg

Offer Sustainability

REACH Regulation	 REACH Declaration
EU RoHS Directive	Pro-active compliance (Product out of EU RoHS legal scope)
Mercury free	Yes
China RoHS Regulation	 China RoHS Declaration
RoHS exemption information	 Yes
WEEE	The product must be disposed on European Union markets following specific waste collection and never end up in rubbish bins
California proposition 65	WARNING: This product can expose you to chemicals including: Lead and lead compounds, which is known to the State of California to cause cancer and birth defects or other reproductive harm. For more information go to www.P65Warnings.ca.gov

Modules Mounted on Racks

Dimensions



(1) With removable terminal block (cage, screw or spring).

(2) With FCN connector.

(3) On AM1 ED rail: 35 mm wide, 15 mm deep. Only possible with BMXXBP0400/0400H/0600/0600H/0800/0800H rack.

Rack references	a in mm	a in in.
BMXXBP0400 and BMXXBP0400H	242.4	09.54
BMXXBP0600 and BMXXBP0600H	307.6	12.11
BMXXBP0800 and BMXXBP0800H	372.8	14.68
BMXXBP1200 and BMXXBP1200H	503.2	19.81