



## Main

Range of product	Harmony iPC
Product or component type	Modular box PC
Device short name	Modular BOX PC Optimized
Range compatibility	IDisplay Modular Display HMIDM
Accessory / separate part destination	PC panel on HMIDM modular display
Processor name	Intel Atom E3930 upto 1.8 GHz
Operating system	Windows 10 IoT Enterprise 64 bit multi-language
Software package	Node-RED and system nodes restore IIoT Wiring Operating System Restore McAfee white listing installer cyber security license not included EcoStruxure secure connect advisor annual subscription cyber security license not included EcoStruxure Operator Terminal Expert run time HMI license not included EcoStruxure machine SCADA expert run time HMI/SCADA on configured offer only EcoStruxure augmented operator advisor server augmented operator license not included

## Complementary

Mounting location	Book mounting Flat mounting Wall mounting
Data storage equipment	64 GB M.2 SSD TLC for 1500000 h
Memory description	4 GB RAM DDR3 internal (not expandable)
Free slots	1 M.2 SSD
Number of slots	1 slot(s) for mini PCI Express full-size without optional interface plate,
Number of slots available for expansion	1.0 slot(s) for mini PCIe
Display resolution	3200 x 2000 pixels at 60 Hz
Watchdog timer	1...255 ms
Type of cooling	Fanless
Electrical connection	Screw connector, connector type: pin, 1 way, circuit application: ground - location: bottom Connector, connector type: SMA, 3 ways - location: top
Integrated connection type	Display port with 2 on front Ethernet with 2 RJ45 I210, transmission rate: 10/100/1000 Mbps on bottom IEEE 1588 supported COM1 serial link for battery backup with 1 male SUB-D 9 RS232 on bottom COM2 serial link with 1 male SUB-D 9 RS232/422/485 on bottom non-isolated USB 2.0 port with 2 USB type A, transmission rate: 480 Mbit/s on bottom non-isolated USB 3.0 port with 2 USB type A, transmission rate: 5 Gbit/s on bottom TPM connector Ver 2.0 for cyber security - hardware encryption TPM module HMIYMINATPM201 to be installed/default installed on motherboard
Cyber secured boot	Secure password boot UEFI
[Us] rated supply voltage	24 V DC power supply 100...240 V AC power supply
Supply voltage limits	9.6...28.8 V
Inrush current	2.03 A

The information provided in this documentation contains general descriptions and/or technical characteristics of the performance of the products contained herein. This documentation is not intended as a substitute for and is not to be used for determining suitability or reliability of these products for specific user applications. It is the duty of any such user or integrator to perform the appropriate and complete risk analysis, evaluation and testing of the products with respect to the relevant specific application or use thereof. Neither Schneider Electric Industries SAS nor any of its affiliates or subsidiaries shall be responsible or liable for misuse of the information contained herein.

Power consumption in W	25.0 W (box) 17.0 W (with 4:3 12" display HMIDM6421) 17.0 W (with Wide 12" display HMIDM6521) 18.0 W (with 4:3 15" display HMIDM7421) 20.0 W (with Wide 15" display HMIDM7521) 21.0 W (with Wide 19" display HMIDM9521) 22.0 W (with Wide 22" display HMIDMA521)
Control type	ON/OFF button
Main type	Optimised
Depth	38 mm
Height	150 mm
Width	187 mm
Net weight	1.25 kg

## Environment

Environmental characteristic	Hazardous location with additional adaptor HMIYMMAC1
Standards	Class A group 1 IEC 55011 IEC 61000-6-4 IEC 61131-2 FCC part 15 UL 61010
Product certifications	CE[RETURN]CULus[RETURN]CULus CSA 22-2 No 142[RETURN]CULus HazLoc Class I Division 2 ANSI/ISA 12-12-01[RETURN]CULus HazLoc Class I Division 2 CSA 22-2 No 213[RETURN]ATEX[RETURN]CCC[RETURN]RCM[RETURN]EAC[RETURN]IEC Ex hazardous locations 3GD zone 2/22
Quality labels	CE
Directives	2004/108/EC - electromagnetic compatibility 2006/95/EC - low voltage directive
IP degree of protection	IP40 conforming to IEC 60529
Electromagnetic compatibility	Immunity to high frequency interference conforming to IEC 61000-4 Disturbing field emission class A conforming to IEC 55011 Conducted and radiated emissions class A conforming to EN 55022
Ambient air temperature for storage	-30...70 °C conforming to IEC 60068-2-2 -30...70 °C conforming to IEC 60068-2-14
Relative humidity	10...95 % non-condensing conforming to IEC 60068-2-30
Ambient air temperature for operation	0...55 °C (by default) conforming to IEC 60068-2-2 0...55 °C flat mounting
Operating altitude	2000 m conforming to IEC 60664-1
Vibration resistance	2 gn (f = 5...500 Hz) M.2 SSD

## Packing Units

Unit Type of Package 1	PCE
Number of Units in Package 1	1
Package 1 Height	15 cm
Package 1 Width	23.5 cm
Package 1 Length	38.5 cm
Package 1 Weight	2 kg

## Offer Sustainability

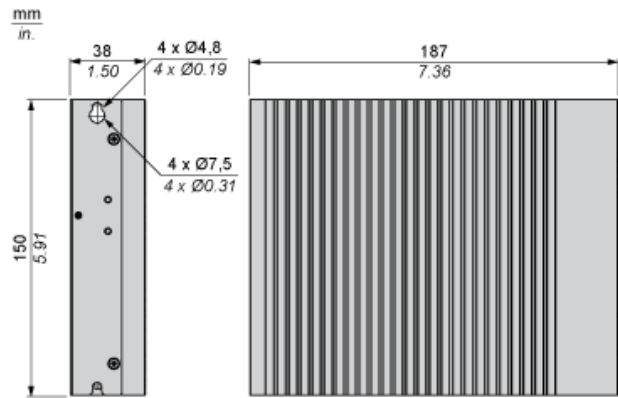
Sustainable offer status	Green Premium product
REACH Regulation	 <a href="#">REACH Declaration</a>
REACH free of SVHC	Yes
EU RoHS Directive	Pro-active compliance (Product out of EU RoHS legal scope)
Mercury free	Yes
China RoHS Regulation	 <a href="#">China RoHS Declaration</a>
RoHS exemption information	 Yes
Environmental Disclosure	 <a href="#">Product Environmental Profile</a>
Circularity Profile	 <a href="#">End Of Life Information</a>

---

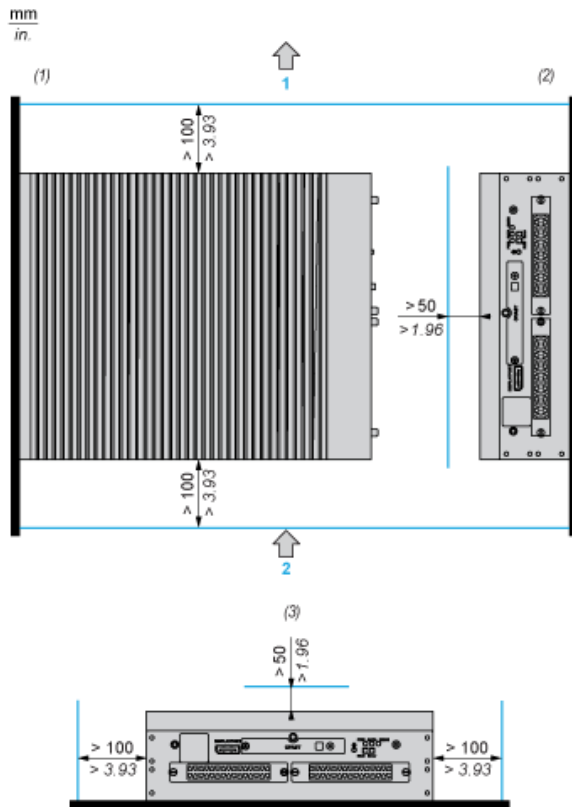
WEEE	The product must be disposed on European Union markets following specific waste collection and never end up in rubbish bins
California proposition 65	WARNING: This product can expose you to chemicals including: Lead and lead compounds, which is known to the State of California to cause cancer and birth defects or other reproductive harm. For more information go to <a href="http://www.P65Warnings.ca.gov">www.P65Warnings.ca.gov</a>

---

Dimensions



Spacing Requirements



- 1 : Air out
- 2 : Air in
- (1) Book mounting : Vertical mounting with rear fixing
- (2) Wall mounting : Vertical mounting with side fixing
- (3) Horizontal mounting