



## Main

Range of product	Harmony GTU
Product or component type	Flat screen
Terminal type	Touchscreen display
[Us] rated supply voltage	12...24 V DC power supply
Supply voltage limits	10.8...28.8 V
Power consumption in W	15 W
Inrush current	30 A

## Complementary

Integrated connection type	USB 2.0 type A
Touchscreen resolution	1024 x 1024
Pixel resolution	800 x 600
Display size	10.4 inch
Aspect ratio	4:3
Display type	Colour TFT LCD
Display resolution	800 x 600 pixels SVGA
Display colour	16 million colours
Backlight lifespan	50000 hours
Touch panel	Multi touch analogue resistive
Provided equipment	1 flash card
Function available	Brightness sensor
Type of cooling	Natural convection
Type of installation	Indoor installation
Cut-out dimensions	259 (+ 1/- 0) x 201 (+ 1/- 0) mm
Width	272.5 mm
Height	214.5 mm
Depth	67 mm
Net weight	2.7 kg

## Environment

IP degree of protection	Front panel: IP66
NEMA degree of protection	NEMA 4X front panel
Standards	UL 508
Product certifications	CE[RETURN]UKCA[RETURN]UKEX
Ambient air temperature for operation	0...60 °C conforming to EN 61131-2
Ambient air temperature for storage	-20...60 °C
Relative humidity	10...90 % non-condensing
Operating altitude	2000 m
Vibration resistance	3.5 mm constant amplitude (f = 5...9 Hz) conforming to EN/IEC 61131-2
Shock resistance	147 m/s <sup>2</sup> conforming to EN/IEC 61131-2
Electromagnetic compatibility	Electrostatic discharge immunity test level 3 conforming to EN/IEC 61000-4-2

## Packing Units

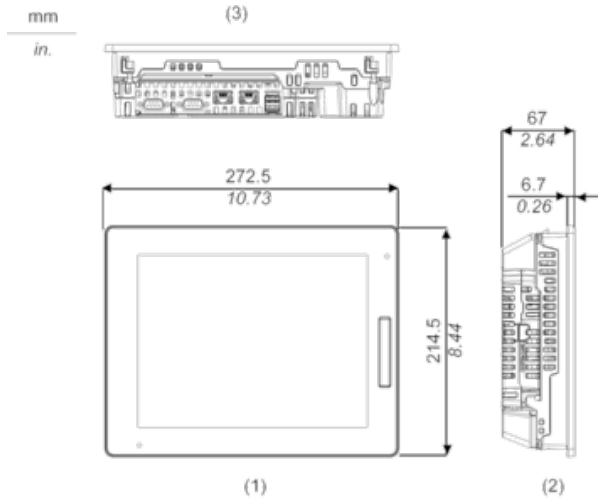
Unit Type of Package 1	PCE
Number of Units in Package 1	1
Package 1 Height	19.0 cm
Package 1 Width	33.0 cm
Package 1 Length	37.5 cm
Package 1 Weight	4.0 kg
Unit Type of Package 2	CAR
Number of Units in Package 2	2
Package 2 Height	43.0 cm
Package 2 Width	35.5 cm
Package 2 Length	45.5 cm
Package 2 Weight	8.289 kg

## Offer Sustainability

Sustainable offer status	Green Premium product
REACH Regulation	<a href="#">REACH Declaration</a>
EU RoHS Directive	Pro-active compliance (Product out of EU RoHS legal scope)
Mercury free	Yes
China RoHS Regulation	<a href="#">China RoHS Declaration</a>
RoHS exemption information	<a href="#">Yes</a>
Environmental Disclosure	<a href="#">Product Environmental Profile</a>
Circularity Profile	<a href="#">End Of Life Information</a>
WEEE	The product must be disposed on European Union markets following specific waste collection and never end up in rubbish bins
California proposition 65	WARNING: This product can expose you to chemicals including: Lead and lead compounds, which is known to the State of California to cause cancer and birth defects or other reproductive harm. For more information go to <a href="http://www.P65Warnings.ca.gov">www.P65Warnings.ca.gov</a>

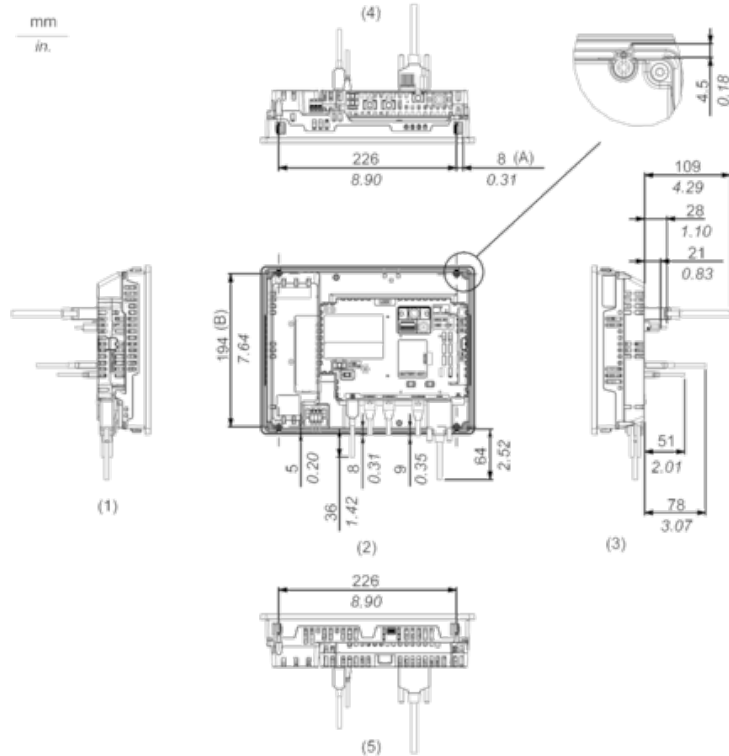
External Dimensions

Display Unit with Box Module



- 1 Front
- 2 Left
- 3 Bottom

Installation with Installation Fasteners and Dimensions with Cables



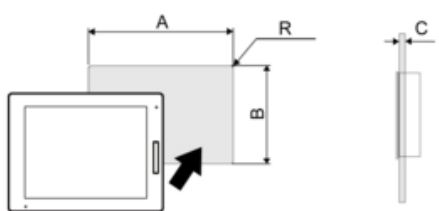
- (A) Rotation area of the fastener
- (B) Pitch of the center of installation fastner screws

- 1 Right
- 2 Front
- 3 Left
- 4 Bottom



Mounting

Panel Cut Dimensions



Dimensions in mm

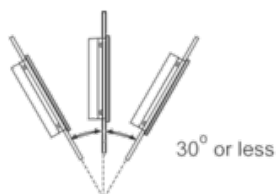
A	B	C	R
259 (+1/-0)	201 (+1/-0)	1.6...5	3 max.

Dimensions in in.

A	B	C	R
10.2 (+0.04/-0)	7.91 (+0.04/-0)	0.06...0.2	0.12 max.

Installation Requirements

Mounting Angle



When installing this product in a slanted position with an incline more than 30°, the ambient temperature must not exceed 40 °C (104 °F). You may need to use forced air cooling (fan, A/C) to ensure the ambient operating temperature is 40 °C or less (104 °F or less).

Clearance

