



## Main

|                           |                           |
|---------------------------|---------------------------|
| Range of product          | Harmony GTU               |
| Product or component type | Flat screen               |
| Terminal type             | Touchscreen display       |
| [Us] rated supply voltage | 12...24 V DC power supply |
| Supply voltage limits     | 10.8...28.8 V             |
| Power consumption in W    | 21 W                      |
| Inrush current            | 30 A                      |

## Complementary

|                            |                                       |
|----------------------------|---------------------------------------|
| Integrated connection type | USB 2.0 type A<br>USB 2.0 type mini B |
| Touchscreen resolution     | 1024 x 1024                           |
| Pixel resolution           | 1024 x 600                            |
| Display size               | 12.1 inch                             |
| Aspect ratio               | 4:3                                   |
| Display type               | Colour TFT LCD                        |
| Display resolution         | 1024 x 768 pixels XGA                 |
| Display colour             | 16 million colours                    |
| Backlight lifespan         | 50000 hours                           |
| Touch panel                | Multi touch analogue resistive        |
| Function available         | Brightness sensor                     |
| Type of cooling            | Natural convection                    |
| Type of installation       | Indoor installation                   |
| Cut-out dimensions         | 301.5 (+ 1/- 0) x 227.5 (+ 1/- 0) mm  |
| Width                      | 315 mm                                |
| Height                     | 241 mm                                |
| Depth                      | 67 mm                                 |
| Net weight                 | 3 kg                                  |

## Environment

|                                       |   |
|---------------------------------------|---|
| IP degree of protection               | Front panel: IP66<br>Front panel: IP67  |
| NEMA degree of protection             | NEMA 4X front panel   |
| Standards                             | UL 508<br>ANSI/ISA 12-12-01<br>Class I division 2 CSA C22.2 No 213<br>CSA C22.2 No 142<br>IEC 61132-2 |
| Product certifications                | CE[RETURN]UKCA[RETURN]UKEX  |
| Ambient air temperature for operation | 0...60 °C conforming to IEC 61131-2   |
| Ambient air temperature for storage   | -20...60 °C   |
| Relative humidity                     | 10...90 % non-condensing  |
| Operating altitude                    | 2000 m  |

|                               |   |
|-------------------------------|---|
| Vibration resistance          | 3.5 mm constant amplitude (f = 5...9 Hz) conforming to IEC 61131-2<br>9.8 m/s <sup>2</sup> (f = 9...150 Hz) conforming to IEC 61131-2 |
| Shock resistance              | 147 m/s <sup>2</sup> conforming to IEC 61131-2  |
| Electromagnetic compatibility | Electrostatic discharge immunity test level 3 conforming to IEC 61000-4-2   |

## Packing Units

|                              |          |
|------------------------------|----------|
| Unit Type of Package 1       | PCE      |
| Number of Units in Package 1 | 1        |
| Package 1 Height             | 18.6 cm  |
| Package 1 Width              | 33 cm    |
| Package 1 Length             | 43 cm    |
| Package 1 Weight             | 4.8 kg   |
| Unit Type of Package 2       | CAR      |
| Number of Units in Package 2 | 2        |
| Package 2 Height             | 40 cm    |
| Package 2 Width              | 34 cm    |
| Package 2 Length             | 44 cm    |
| Package 2 Weight             | 10 kg    |
| Unit Type of Package 3       | P12      |
| Number of Units in Package 3 | 10       |
| Package 3 Height             | 55.5 cm  |
| Package 3 Width              | 80 cm    |
| Package 3 Length             | 120 cm   |
| Package 3 Weight             | 48.32 kg |

## Offer Sustainability

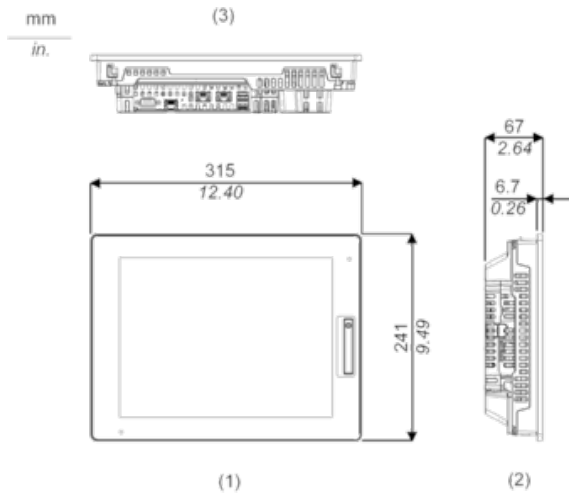
|                            |  |
|----------------------------|--|
| Sustainable offer status   | Green Premium product  |
| REACH Regulation           | <a href="#">REACH Declaration</a>  |
| EU RoHS Directive          | Pro-active compliance (Product out of EU RoHS legal scope)   |
| Mercury free               | Yes  |
| China RoHS Regulation      | <a href="#">China RoHS Declaration</a>   |
| RoHS exemption information | <a href="#">Yes</a>  |
| Environmental Disclosure   | <a href="#">Product Environmental Profile</a>  |
| Circularity Profile        | <a href="#">End Of Life Information</a>  |
| WEEE                       | The product must be disposed on European Union markets following specific waste collection and never end up in rubbish bins  |
| California proposition 65  | "WARNING: This product can expose you to chemicals including: Lead and lead compounds, which is known to the State of California to cause cancer and birth defects or other reproductive harm. For more information go to <a href="http://www.P65Warnings.ca.gov">www.P65Warnings.ca.gov</a> " |

## Contractual warranty

|          |           |
|----------|-----------|
| Warranty | 18 months |
|----------|-----------|

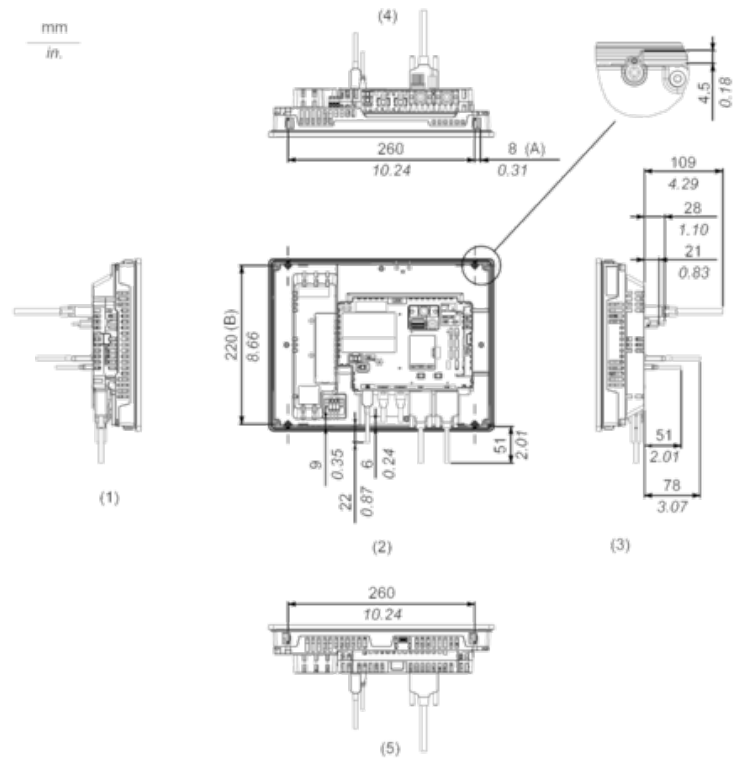
External Dimensions

Display Unit with Box Module



- 1 Front
- 2 Left
- 3 Bottom

Installation with Installation Fasteners and Dimensions with Cables



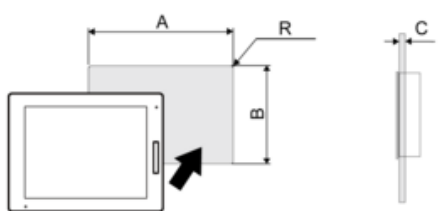
- (A) Rotation area of the fastener
- (B) Pitch of the center of installation fastner screws

- 1 Right
- 2 Front
- 3 Left
- 4 Bottom



Mounting

Panel Cut Dimensions



Dimensions in mm

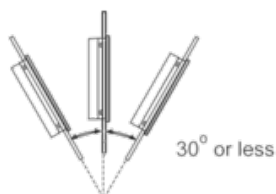
| A             | B             | C       | R      |
|---------------|---------------|---------|--------|
| 301.5 (+1/-0) | 227.5 (+1/-0) | 1.6...5 | 3 max. |

Dimensions in in.

| A                | B               | C          | R         |
|------------------|-----------------|------------|-----------|
| 11.87 (+0.04/-0) | 8.96 (+0.04/-0) | 0.06...0.2 | 0.12 max. |

Installation Requirements

Mounting Angle



When installing this product in a slanted position with an incline more than 30°, the ambient temperature must not exceed 40 °C (104 °F). You may need to use forced air cooling (fan, A/C) to ensure the ambient operating temperature is 40 °C or less (104 °F or less).

Clearance

