



Main

| | |
|---------------------------|-------------------------------|
| Range of product | Harmony GK |
| Product or component type | Touchscreen panel with keypad |
| Display colour | 65536 colours |
| Display size | 5.7 inch |
| Supply | External source |
| Operating system | Harmony |
| Processor name | CPU RISC |

Complementary

| | |
|--------------------------------------|--|
| Display type | Backlit colour TFT LCD |
| Display resolution | 320 x 240 pixels QVGA |
| Touch sensitive zone | 1024 x 1024 |
| Touch panel | Analogue |
| Backlight lifespan | 50000 hours |
| Brightness | 16 levels via touch panel |
| Character font | Korean Taiwanese (traditional Chinese) ASCII (European characters) Japanese (ANK, Kanji) Chinese (simplified Chinese) |
| [Us] rated supply voltage | 24 V DC |
| Supply voltage limits | 19.2...28.8 V |
| Inrush current | 30 A |
| Power consumption in W | 7.7 W |
| Number of dynamic function keys symb | 14 with LED |
| Number of static function keys | 10 with LED and labels |
| Number of SERVICE keys | 8 |
| Number of alphanumeric keys | 12 |
| Local signalling | 1 LED (green or orange) for normal operation or backlighting faulty |
| Number of pages | Limited by internal memory capacity |
| Software type | Configuration software |
| Software designation | Vijeo Designer |
| Processor frequency | 333 MHz |
| Memory description | 512 KB SRAM back up of data with lithium battery back-up 128 MB flash EPROM application memory |
| Downloadable protocols | Telemecanique Modicon FIPWAY Telemecanique Modicon Modbus Plus Telemecanique Modicon Modbus TCP Telemecanique Modicon Modbus Mitsubishi Melsec third party protocols Omron Sysmac third party protocols Rockwell Automation Allen-Bradley third party protocols Siemens Simatic third party protocols Telemecanique Modicon Uni-TE |
| Realtime clock | Built-in |

The information provided in this documentation contains general descriptions and/or technical characteristics of the products of the performance of the products contained herein. This documentation is not intended as a substitute for and is not to be used for determining suitability or reliability of these products for specific user applications. It is the duty of any such user or integrator to perform the appropriate and complete risk analysis, evaluation and testing of the products with respect to the relevant specific application or use thereof. Neither Schneider Electric Industries SAS nor any of its affiliates or subsidiaries shall be responsible or liable for misuse of the information contained herein.

| | |
|----------------------------|---|
| Memory type | Up to 32 GB SD card RAM Up to 32 GB SDHC card RAM |
| Integrated connection type | <= 187.5 kbit/s RJ45, RS485 COM2 serial link for Siemens MPI (187.5 kbits/s) USB 2.0 type A master port for Modicon M340 terminal port communication <= 115.2 kbits/s male SUB-D 9, RS232C COM1 serial link Removable screw terminal block power supply RJ45 Ethernet TCP/IP USB 2.0 type mini B |
| Port Ethernet | 10BASE-T/100BASE-TX |
| Mounting mode | Flush mounting |
| Fixing mode | By 10 spring clips |
| Front material | Aluminium alloy |
| Enclosure material | PPT |
| Marking | CE |
| Width | 220.3 mm |
| Height | 265 mm |
| Depth | 70 mm |
| Cut-out dimensions | 209 (+/- 0.4) x 243 (+/- 0.4) mm |
| Net weight | 1.8 kg |

Environment

| | |
|---------------------------------------|---|
| Immunity to microbreaks | 5 ms |
| Standards | UL 61010-2-201 IEC 61000-6-2 IEC 61131-2 ANSI/ISA 12.12.01 CSA C22.2 No 213 IEC 61000-6-4 UBC 1997 (Seismic Zone 4) |
| Product certifications | UL Class 1 Division 2 T5[RETURN]KC[RETURN]CSA Class 1 Division 2 T5[RETURN]CSA Class 1 Division 2 T4A[RETURN]EAC[RETURN]RCM[RETURN]cULus[RETURN]UL Class 1 Division 2 T4A[RETURN]UKCA |
| Ambient air temperature for operation | 0...55 °C |
| Ambient air temperature for storage | -20...60 °C |
| Relative humidity | 10...90 % without condensation |
| Operating altitude | < 2000 m |
| IP degree of protection | IP20 (rear panel) conforming to IEC 60529 IP65 (front panel) conforming to IEC 60529 |
| NEMA degree of protection | NEMA 4X front panel (indoor use) |
| Shock resistance | 15 gn for 11 ms conforming to IEC 60068-2-27 |
| Vibration resistance | 1 gn conforming to IEC 60068-2-6 (f = 9...150 Hz) 3.5 mm conforming to IEC 60068-2-6 (f = 5...9 Hz) |
| Electromagnetic compatibility | Resistance to electrostatic discharge - test level: 4 kV level 3 conforming to IEC 61000-4-2 Resistance to radiated electromagnetic fields - test level: 10 V/m conforming to IEC 61000-4-3 Resistance to fast transient - test level: 2 kV level 3 conforming to IEC 61000-4-4 |

Packing Units

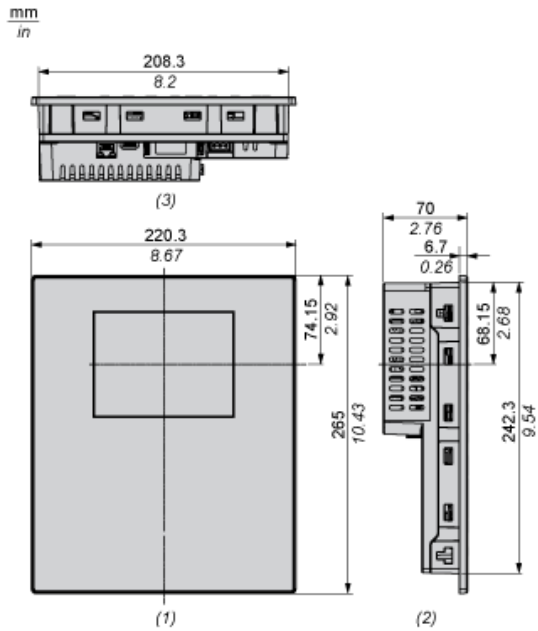
| | |
|------------------------------|----------|
| Unit Type of Package 1 | PCE |
| Number of Units in Package 1 | 1 |
| Package 1 Height | 23.8 cm |
| Package 1 Width | 40.1 cm |
| Package 1 Length | 43.7 cm |
| Package 1 Weight | 4112.5 g |

Offer Sustainability

| | |
|----------------------------|--|
| Sustainable offer status | Green Premium product |
| REACH Regulation | REACH Declaration |
| EU RoHS Directive | Pro-active compliance (Product out of EU RoHS legal scope) |
| Mercury free | Yes |
| China RoHS Regulation | China RoHS Declaration |
| RoHS exemption information | Yes |
| Environmental Disclosure | Product Environmental Profile |
| Circularity Profile | End Of Life Information |
| WEEE | The product must be disposed on European Union markets following specific waste collection and never end up in rubbish bins |
| California proposition 65 | "WARNING: This product can expose you to chemicals including: Lead and lead compounds, which is known to the State of California to cause cancer and birth defects or other reproductive harm. For more information go to www.P65Warnings.ca.gov " |

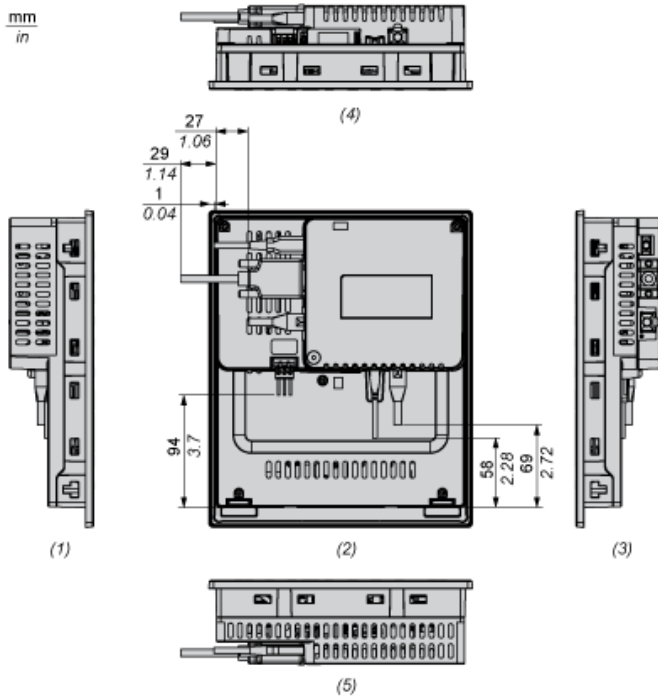
Dimensions

External Dimensions



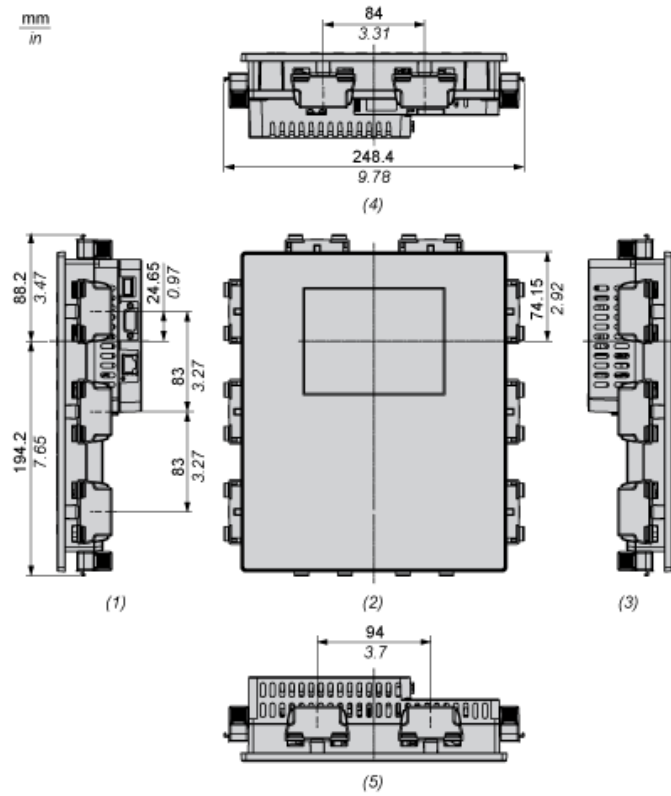
- (1) Front
- (2) Left
- (3) Bottom

Dimensions with Cables



- (1) Right
- (2) Front
- (3) Left
- (4) Bottom
- (5) Top

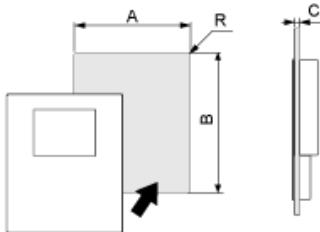
Dimensions with Spring Clips



- (1) Right
- (2) Front
- (3) Left
- (4) Bottom
- (5) Top

Mounting

Panel Cut Dimensions



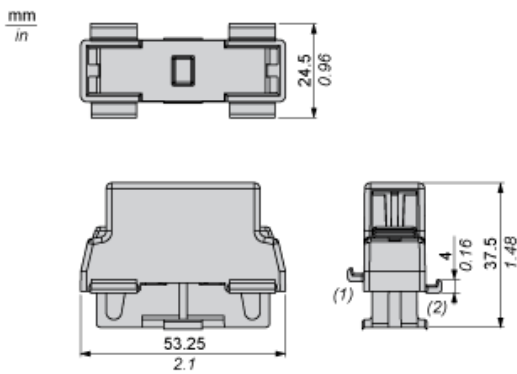
Dimensions in mm

| A | B | C |
|---------------------|---------------------|--|
| 209 ^{±0.4} | 243 ^{±0.4} | Spring clips (Position 1): 1.5...4 Spring clips (Position 2): 4...6 |

Dimensions in in.

| A | B | C |
|-----------------------|-----------------------|--|
| 8.23 ^{±0.01} | 9.57 ^{±0.01} | Spring clips (Position 1): 0.06...0.16 Spring clips (Position 2): 0.16...0.24 |

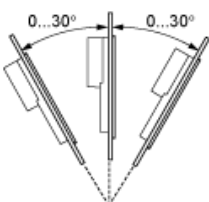
Spring Clip Dimensions



- (1) Position 1
- (2) Position 2

Installation Requirements

Mounting Angle



When installing this product in a slanted position with an incline more than 30°, the ambient temperature must not exceed 40 °C (104 °F). You may need to use forced air cooling (fan, A/C) to ensure the ambient operating temperature is 40 °C or less (104 °F or less).

Clearance

mm
in

