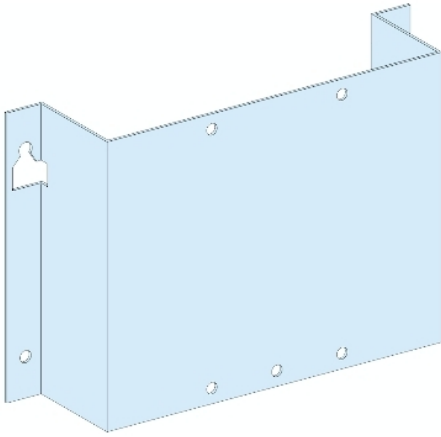


LVS03051

Mounting plate, PrismaSeT G, for NSX/
CVS/INS 250A, vertical fixed, rotary handle,
W600mm





Main

Range	PrismaSeT
Range of product	PrismaSeT G
Product or component type	Mounting plate
Accessory / separate part category	Installation accessory
Range compatibility	PrismaSeT PrismaSeT G duct PrismaSeT PrismaSeT P cubicle
Installation description	Floor-standing duct - width 300 mm Wall-mounted duct - width 300 mm Cubicle - width 400 mm depth 400 mm
Installed device	EasyPact: fixed CVS100...160 without earth leakage protection - control: direct front rotary handle - vertical installation EasyPact: fixed CVS250 without earth leakage protection - control: direct front rotary handle - vertical installation ComPact: fixed NSX100...160 without earth leakage protection - control: direct front rotary handle - vertical installation ComPact: fixed NSX250 without earth leakage protection - control: direct front rotary handle - vertical installation ComPact: fixed NSX100...160 without earth leakage protection - control: motor mechanism - vertical installation ComPact: plug-in NSX100...160 without earth leakage protection - control: direct front rotary handle - vertical installation ComPact: plug-in NSX100...160 without earth leakage protection - control: motor mechanism - vertical installation ComPact: fixed NSX250 without earth leakage protection - control: motor mechanism - vertical installation ComPact: plug-in NSX250 without earth leakage protection - control: direct front rotary handle - vertical installation ComPact: plug-in NSX250 without earth leakage protection - control: motor mechanism - vertical installation
Poles description	1 x 3P: fixed CVS100...160 vertical installation 1 x 4P: fixed CVS100...160 vertical installation 1 x 3P: fixed CVS250 vertical installation 1 x 4P: fixed CVS250 vertical installation 1 x 3P: fixed NSX100...160 vertical installation 1 x 4P: fixed NSX100...160 vertical installation 1 x 3P: plug-in NSX100...160 vertical installation 1 x 4P: plug-in NSX100...160 vertical installation 1 x 3P: fixed NSX250 vertical installation 1 x 4P: fixed NSX250 vertical installation 1 x 3P: plug-in NSX250 vertical installation 1 x 4P: plug-in NSX250 vertical installation
Condition of using cable tie	Need additional plate (1M high) when installation of device is in vertical

Number of vertical modules [50 mm]	<p>9 module(s): CVS100...160 without earth leakage protection , direct with long terminal shield in 300 mm Widefloor-standing duct (cable coming from top or bottom of enclosure)</p> <p>9 module(s): CVS100...160 without earth leakage protection , direct with long terminal shield in 300 mm Widewall-mounted duct (cable coming from top or bottom of enclosure)</p> <p>9 module(s): CVS250 without earth leakage protection , direct with long terminal shield in 300 mm Widefloor-standing duct (cable coming from top or bottom of enclosure)</p> <p>9 module(s): CVS250 without earth leakage protection , direct with long terminal shield in 300 mm Widewall-mounted duct (cable coming from top or bottom of enclosure)</p> <p>9 module(s): NSX100...160 without earth leakage protection , direct with long terminal shield in 300 mm Widefloor-standing duct (cable coming from top or bottom of enclosure)</p> <p>9 module(s): NSX100...160 without earth leakage protection , direct with long terminal shield in 300 mm Widewall-mounted duct (cable coming from top or bottom of enclosure)</p> <p>9 module(s): NSX100...160 without earth leakage protection , front connection in 400 mm Widecubicle</p> <p>9 module(s): NSX250 without earth leakage protection , direct with long terminal shield in 300 mm Widefloor-standing duct (cable coming from top or bottom of enclosure)</p> <p>9 module(s): NSX250 without earth leakage protection , direct with long terminal shield in 300 mm Widewall-mounted duct (cable coming from top or bottom of enclosure)</p> <p>9 module(s): NSX250 without earth leakage protection , front connection in 400 mm Widecubicle</p>
Standards	IEC 61439-2
Product certifications	ASTA

Complementary

Material	Sheet steel
Protective treatment	Electrophoresis treatment and hot-polymerised polyester epoxy powder
Surface finish	Matt Textured
Colour	White (RAL 9003)
Width	300 mm
Height	300 mm

Net weight	0.5 kg
Functional unit	<p>300 mm PrismaSeT G floor-standing duct EasyPact CVS100...160 without fixed direct front rotary handle vertical 3P 1 direct with long terminal shield 9 178 mm</p> <p>300 mm PrismaSeT G wall-mounted duct EasyPact CVS100...160 without fixed direct front rotary handle vertical 3P 1 direct with long terminal shield 9 178 mm</p> <p>300 mm PrismaSeT G floor-standing duct EasyPact CVS100...160 without fixed direct front rotary handle vertical 4P 1 direct with long terminal shield 9 178 mm</p> <p>300 mm PrismaSeT G wall-mounted duct EasyPact CVS100...160 without fixed direct front rotary handle vertical 4P 1 direct with long terminal shield 9 178 mm</p> <p>300 mm PrismaSeT G floor-standing duct EasyPact CVS250 without fixed direct front rotary handle vertical 3P 1 direct with long terminal shield 9 178 mm</p> <p>300 mm PrismaSeT G wall-mounted duct EasyPact CVS250 without fixed direct front rotary handle vertical 3P 1 direct with long terminal shield 9 178 mm</p> <p>300 mm PrismaSeT G floor-standing duct EasyPact CVS250 without fixed direct front rotary handle vertical 4P 1 direct with long terminal shield 9 178 mm</p> <p>300 mm PrismaSeT G wall-mounted duct EasyPact CVS250 without fixed direct front rotary handle vertical 4P 1 direct with long terminal shield 9 178 mm</p> <p>300 mm PrismaSeT G floor-standing duct ComPact NSX100...160 without fixed direct front rotary handle vertical 3P 1 direct with long terminal shield 9 178 mm</p> <p>300 mm PrismaSeT G wall-mounted duct ComPact NSX100...160 without fixed direct front rotary handle vertical 3P 1 direct with long terminal shield 9 178 mm</p> <p>300 mm PrismaSeT G floor-standing duct ComPact NSX100...160 without fixed direct front rotary handle vertical 4P 1 direct with long terminal shield 9 178 mm</p> <p>300 mm PrismaSeT G wall-mounted duct ComPact NSX100...160 without fixed direct front rotary handle vertical 4P 1 direct with long terminal shield 9 178 mm</p> <p>400 mm 400 mm PrismaSeT P cubicle ComPact NSX100...160 without fixed direct front rotary handle vertical 3P 1 front connection 9 178 mm</p> <p>400 mm 400 mm PrismaSeT P cubicle ComPact NSX100...160 without fixed direct front rotary handle vertical 4P 1 front connection 9 178 mm</p> <p>400 mm 400 mm PrismaSeT P cubicle ComPact NSX100...160 without fixed motor mechanism vertical 3P 1 front connection 9 178 mm</p> <p>400 mm 400 mm PrismaSeT P cubicle ComPact NSX100...160 without fixed motor mechanism vertical 4P 1 front connection 9 178 mm</p> <p>400 mm 400 mm PrismaSeT P cubicle ComPact NSX100...160 without plug-in direct front rotary handle vertical 3P 1 front connection 9 178 mm</p> <p>400 mm 400 mm PrismaSeT P cubicle ComPact NSX100...160 without plug-in direct front rotary handle vertical 4P 1 front connection 9 178 mm</p> <p>400 mm 400 mm PrismaSeT P cubicle ComPact NSX100...160 without plug-in motor mechanism vertical 3P 1 front connection 9 178 mm</p> <p>400 mm 400 mm PrismaSeT P cubicle ComPact NSX100...160 without plug-in motor mechanism vertical 4P 1 front connection 9 178 mm</p> <p>300 mm PrismaSeT G floor-standing duct ComPact NSX250 without fixed direct front rotary handle vertical 3P 1 direct with long terminal shield 9 178 mm</p> <p>300 mm PrismaSeT G wall-mounted duct ComPact NSX250 without fixed direct front rotary handle vertical 3P 1 direct with long terminal shield 9 178 mm</p> <p>300 mm PrismaSeT G floor-standing duct ComPact NSX250 without fixed direct front rotary handle vertical 4P 1 direct with long terminal shield 9 178 mm</p> <p>300 mm PrismaSeT G wall-mounted duct ComPact NSX250 without fixed direct front rotary handle vertical 4P 1 direct with long terminal shield 9 178 mm</p> <p>400 mm 400 mm PrismaSeT P cubicle ComPact NSX250 without fixed direct front rotary handle vertical 3P 1 front connection 9 178 mm</p> <p>400 mm 400 mm PrismaSeT P cubicle ComPact NSX250 without fixed direct front rotary handle vertical 4P 1 front connection 9 178 mm</p> <p>400 mm 400 mm PrismaSeT P cubicle ComPact NSX250 without fixed motor mechanism vertical 3P 1 front connection 9 178 mm</p> <p>400 mm 400 mm PrismaSeT P cubicle ComPact NSX250 without fixed motor mechanism vertical 4P 1 front connection 9 178 mm</p> <p>400 mm 400 mm PrismaSeT P cubicle ComPact NSX250 without plug-in direct front rotary handle vertical 3P 1 front connection 9 178 mm</p> <p>400 mm 400 mm PrismaSeT P cubicle ComPact NSX250 without plug-in direct front rotary handle vertical 4P 1 front connection 9 178 mm</p> <p>400 mm 400 mm PrismaSeT P cubicle ComPact NSX250 without plug-in motor mechanism vertical 3P 1 front connection 9 178 mm</p> <p>400 mm 400 mm PrismaSeT P cubicle ComPact NSX250 without plug-in motor mechanism vertical 4P 1 front connection 9 178 mm</p>

Packing Units

Unit Type of Package 1	PCE
Number of Units in Package 1	1
Package 1 Height	3.5 cm
Package 1 Width	14.2 cm
Package 1 Length	22.0 cm
Package 1 Weight	508.0 g
Unit Type of Package 2	S04
Number of Units in Package 2	20

Package 2 Height	30.0 cm
Package 2 Width	40.0 cm
Package 2 Length	60.0 cm
Package 2 Weight	10.934 kg

Offer Sustainability

Sustainable offer status	Green Premium product
REACH Regulation	REACH Declaration
REACH free of SVHC	Yes
EU RoHS Directive	Pro-active compliance (Product out of EU RoHS legal scope) EU RoHS Declaration
Toxic heavy metal free	Yes
Mercury free	Yes
China RoHS Regulation	China RoHS Declaration
RoHS exemption information	Yes
Environmental Disclosure	Product Environmental Profile
Circularity Profile	No need of specific recycling operations
PVC free	Yes
Halogen content performance	Halogen free plastic parts product