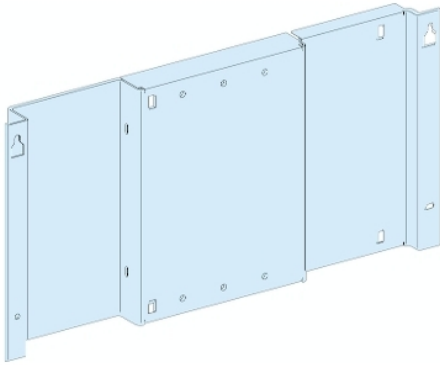


LVS03074

Mounting plate, PrismaSeT G, for NSX/
CVS/Vigi 630A, vertical fixed, rotary handle,
W600mm





Main

Range	PrismaSeT
Range of product	PrismaSeT G
Product or component type	Mounting plate
Accessory / separate part category	Installation accessory
Range compatibility	PrismaSeT PrismaSeT G enclosure
Installation description	Floor-standing enclosure - width 600 mm Wall-mounted enclosure - width 600 mm
Installed device	EasyPact: fixed CVS400 without earth leakage protection - control: direct front rotary handle - vertical installation EasyPact: fixed CVS630 without earth leakage protection - control: direct front rotary handle - vertical installation ComPact: fixed NSX400 without earth leakage protection - control: direct front rotary handle - vertical installation ComPact: fixed NSX630 without earth leakage protection - control: direct front rotary handle - vertical installation EasyPact: fixed CVS400 with earth leakage protection - control: direct front rotary handle - vertical installation EasyPact: fixed CVS630 with earth leakage protection - control: direct front rotary handle - vertical installation ComPact: fixed NSX400 with earth leakage protection - control: direct front rotary handle - vertical installation ComPact: fixed NSX630 with earth leakage protection - control: direct front rotary handle - vertical installation
Poles description	1 x 3P: fixed CVS400 vertical installation 1 x 4P: fixed CVS400 vertical installation 1 x 3P: fixed CVS630 vertical installation 1 x 4P: fixed CVS630 vertical installation 1 x 3P: fixed NSX400 vertical installation 1 x 4P: fixed NSX400 vertical installation 1 x 3P: fixed NSX630 vertical installation 1 x 4P: fixed NSX630 vertical installation
Condition of using cable tie	Need additional plate (1M high) when installation of device is in vertical

Number of vertical modules [50 mm]	<p>15 module(s): CVS400 without earth leakage protection , direct with long terminal shield in 600 mm Widefloor-standing enclosure (cable coming from top or bottom of enclosure)</p> <p>15 module(s): CVS400 without earth leakage protection , direct with long terminal shield in 600 mm Widewall-mounted enclosure (cable coming from top or bottom of enclosure)</p> <p>15 module(s): CVS630 without earth leakage protection , direct with long terminal shield in 600 mm Widefloor-standing enclosure (cable coming from top or bottom of enclosure)</p> <p>15 module(s): CVS630 without earth leakage protection , direct with long terminal shield in 600 mm Widewall-mounted enclosure (cable coming from top or bottom of enclosure)</p> <p>15 module(s): NSX400 without earth leakage protection , direct with long terminal shield in 600 mm Widefloor-standing enclosure (cable coming from top or bottom of enclosure)</p> <p>15 module(s): NSX400 without earth leakage protection , direct with long terminal shield in 600 mm Widewall-mounted enclosure (cable coming from top or bottom of enclosure)</p> <p>15 module(s): NSX630 without earth leakage protection , direct with long terminal shield in 600 mm Widefloor-standing enclosure (cable coming from top or bottom of enclosure)</p> <p>15 module(s): NSX630 without earth leakage protection , direct with long terminal shield in 600 mm Widewall-mounted enclosure (cable coming from top or bottom of enclosure)</p> <p>18 module(s): CVS400 with earth leakage protection , direct with long terminal shield in 600 mm Widefloor-standing enclosure (cable coming from top or bottom of enclosure)</p> <p>18 module(s): CVS400 with earth leakage protection , direct with long terminal shield in 600 mm Widewall-mounted enclosure (cable coming from top or bottom of enclosure)</p> <p>18 module(s): CVS630 with earth leakage protection , direct with long terminal shield in 600 mm Widefloor-standing enclosure (cable coming from top or bottom of enclosure)</p> <p>18 module(s): CVS630 with earth leakage protection , direct with long terminal shield in 600 mm Widewall-mounted enclosure (cable coming from top or bottom of enclosure)</p> <p>18 module(s): NSX400 with earth leakage protection , direct with long terminal shield in 600 mm Widefloor-standing enclosure (cable coming from top or bottom of enclosure)</p> <p>18 module(s): NSX400 with earth leakage protection , direct with long terminal shield in 600 mm Widewall-mounted enclosure (cable coming from top or bottom of enclosure)</p> <p>18 module(s): NSX630 with earth leakage protection , direct with long terminal shield in 600 mm Widefloor-standing enclosure (cable coming from top or bottom of enclosure)</p> <p>18 module(s): NSX630 with earth leakage protection , direct with long terminal shield in 600 mm Widewall-mounted enclosure (cable coming from top or bottom of enclosure)</p>
Standards	IEC 61439-2
Product certifications	ASTA

Complementary

Cable entry	Cut-out plates 0.31 mm top or bottom 267 mm Cut-out plates 0.312 mm top or bottom 317 mm
Material	Sheet steel
Protective treatment	Electrophoresis treatment and hot-polymerised polyester epoxy powder
Surface finish	Textured Matt
Colour	White (RAL 9003)
Width	600 mm

Packing Units

Unit Type of Package 1	PCE
Number of Units in Package 1	1
Package 1 Height	3.4 cm
Package 1 Width	23.2 cm
Package 1 Length	47.2 cm
Package 1 Weight	2.31 kg
Unit Type of Package 2	S04
Number of Units in Package 2	9
Package 2 Height	30 cm
Package 2 Width	40 cm
Package 2 Length	60 cm
Package 2 Weight	21.607 kg
Unit Type of Package 3	P12
Number of Units in Package 3	36
Package 3 Height	44 cm
Package 3 Width	80 cm
Package 3 Length	120 cm
Package 3 Weight	98.5 kg

Offer Sustainability

Sustainable offer status	Green Premium product
REACH Regulation	REACH Declaration
REACH free of SVHC	Yes
EU RoHS Directive	Pro-active compliance (Product out of EU RoHS legal scope) EU RoHS Declaration
Toxic heavy metal free	Yes
Mercury free	Yes
China RoHS Regulation	China RoHS Declaration
RoHS exemption information	Yes
Environmental Disclosure	Product Environmental Profile
Circularity Profile	No need of specific recycling operations
PVC free	Yes
Halogen content performance	Halogen free plastic parts product