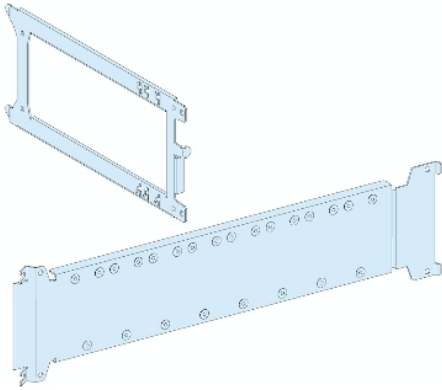


LVS03554

Mounting plate, PrismaSeT P, for FuPacT ISFT100, vertical fixed, fuse carriers handle, 6M, W650mm



Main

Range	PrismaSeT
Range of product	PrismaSeT P
Product or component type	Mounting plate
Accessory / separate part category	Installation accessory
Range compatibility	PrismaSeT PrismaSeT P cubicle
Installation description	Cubicle - width 650 mm depth 400 mm
Installed device	FuPact: fixed ISFT100 - control: fuse carriers handle - vertical installation
Poles description	5 x 3P: fixed ISFT100 vertical installation
Number of vertical modules [50 mm]	6 module(s): ISFT100, direct in 650 mm Widecubicle
Standards	IEC 61439-2
Product certifications	ASTA

Complementary

Material	Sheet steel
Protective treatment	Electrophoresis treatment and hot-polymerised polyester epoxy powder
Surface finish	Matt Textured
Colour	White (RAL 9003)
Width	620 mm
Height	156 mm
Depth	363 mm
Net weight	1.9 kg
Functional unit	650 mm 400 mm PrismaSeT P cubicle FuPact ISFT100 fixed fuse carriers handle vertical 3P 5 direct 6 77.5 mm

Packing Units

Unit Type of Package 1	PCE
Number of Units in Package 1	1
Package 1 Height	3.5 cm
Package 1 Width	14.5 cm
Package 1 Length	57.0 cm
Package 1 Weight	1.967 kg
Unit Type of Package 2	S04
Number of Units in Package 2	6
Package 2 Height	30.0 cm
Package 2 Width	40.0 cm
Package 2 Length	60.0 cm
Package 2 Weight	12.53 kg

The information provided in this documentation contains general descriptions and/or technical characteristics of the performance of the products contained herein. This documentation is not intended as a substitute for and is not to be used for determining suitability or reliability of these products for specific user applications. It is the duty of any such user or integrator to perform the appropriate and complete risk analysis, evaluation and testing of the products with respect to the relevant specific application or use thereof. Neither Schneider Electric Industries SAS nor any of its affiliates or subsidiaries shall be responsible or liable for misuse of the information contained herein.

Offer Sustainability

Sustainable offer status	Green Premium product
REACH Regulation	REACH Declaration
EU RoHS Directive	Pro-active compliance (Product out of EU RoHS legal scope) EU RoHS Declaration
Toxic heavy metal free	Yes
Mercury free	Yes
China RoHS Regulation	China RoHS Declaration
RoHS exemption information	Yes
Environmental Disclosure	Product Environmental Profile
Circularity Profile	No need of specific recycling operations
PVC free	Yes
Halogen content performance	Halogen free plastic parts product