

STBACI0320K

standard analog input kit, Modicon STB, 4 to 20mA, 4I, 15 bits with sign



Main

| | |
|---------------------------|--|
| Range of product | Modicon STB distributed I/O solution |
| Product or component type | Standard analog input kit |
| Kit composition | STBXTS2100, 6-terminal spring clamp connector STBXTS1100, 6-terminal screw type connector STBXBA2000 base STBACI0320 module |
| Analogue input type | Current 0...20 mA Current 4...20 mA |
| Analogue input number | 4 |
| Analogue input resolution | 15 bits + sign |
| Type of filter | Single low pass input filter 985 Hz |

Complementary

| | |
|--|---|
| Absolute maximum input | 25 mA/50 V DC |
| Cold swapping | Yes |
| Hot swapping fallback | Yes for standard NIMs |
| Fallback status | State 0 basic NIMs User configurable standard NIMs |
| Data format | IEC 61131-2 EN 61131-2 |
| Update time | 10 ms |
| Integral linearity | +/- 0.05 %FS |
| Input impedance | 250 Ohm |
| Maximum supply current for sensors | 25 mA per input channels |
| Protection type | Short-circuit protection |
| Absolute accuracy error | +/- 0.4 % of full scale 25 °C |
| Temperature drift | +/-0.005 %/°C |
| Insulation between channels and logic bus | 1780 V for 1 minute |
| Insulation between channels and sensor bus | 200 V |
| Addressing requirement | 8 input words |
| Product compatibility | Mounting base STBXBA2000 Power distribution module STBPDT3100/3105 |
| [Us] rated supply voltage | 24 V DC |
| Supply | Power distribution module |
| Current consumption | 95 mA at 5 V DC for logic bus |
| Marking | CE |
| Overvoltage category | II |
| Status LED | 1 LED (green) module status (RDY) 1 LED (red) module error (ERR) |
| Depth | 70 mm |
| Height | 18.4 mm |
| Width | 128.3 mm |

The information provided in this documentation contains general descriptions and/or technical characteristics of the performance of the products contained herein. This documentation is not intended as a substitute for and is not to be used for determining suitability or reliability of these products for specific user applications. It is the duty of any such user or integrator to perform the appropriate and complete risk analysis, evaluation and testing of the products with respect to the relevant specific application or use thereof. Neither Schneider Electric Industries SAS nor any of its affiliates or subsidiaries shall be responsible or liable for misuse of the information contained herein.

Environment

| | |
|---------------------------------------|---|
| Product certifications | CSA[RETURN]UL[RETURN]FM Class 1 Division 2[RETURN]ATEX Cat 3G[RETURN]C-Tick |
| Pollution degree | 2 conforming to IEC 60664-1 |
| Operating altitude | <= 2000 m |
| IP degree of protection | IP20 conforming to IEC 61131-2 class 1 |
| Ambient air temperature for operation | -25...70 °C |
| Ambient air temperature for operation | 32...140 °F without derating |
| Ambient air temperature for storage | -40...85 °C without derating |
| Ambient air temperature for storage | -40...185 °F without derating |
| Relative humidity | 95 % at 60 °C without condensation |
| Vibration resistance | +/-0.35 mm at 10...58 Hz 3 gn at 58...150 Hz on 35 x 7.5 mm symmetrical DIN rail 5 gn at 58...150 Hz on 35 x 15 mm symmetrical DIN rail |
| Shock resistance | 30 gn for 11 ms conforming to IEC 88 reference 2-27 |

Packing Units

| | |
|------------------------------|----------|
| Unit Type of Package 1 | PCE |
| Number of Units in Package 1 | 1 |
| Package 1 Height | 2.7 cm |
| Package 1 Width | 13.0 cm |
| Package 1 Length | 8.0 cm |
| Package 1 Weight | 146.0 g |
| Unit Type of Package 2 | S02 |
| Number of Units in Package 2 | 28 |
| Package 2 Height | 15 cm |
| Package 2 Width | 30 cm |
| Package 2 Length | 40 cm |
| Package 2 Weight | 4.514 kg |

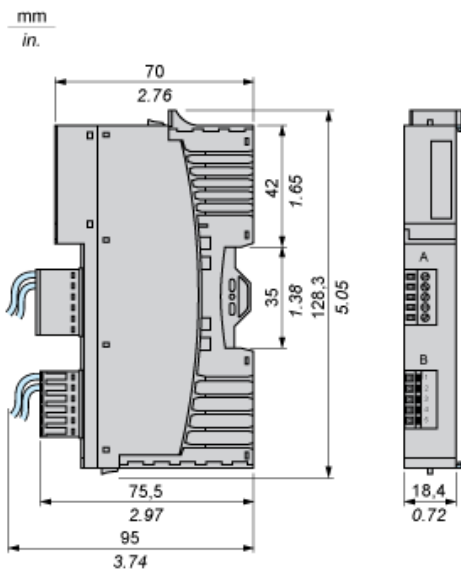
Offer Sustainability

| | |
|----------------------------|---|
| REACH Regulation | REACH Declaration |
| EU RoHS Directive | Pro-active compliance (Product out of EU RoHS legal scope) |
| Mercury free | Yes |
| China RoHS Regulation | China RoHS Declaration |
| RoHS exemption information | Yes |
| WEEE | The product must be disposed on European Union markets following specific waste collection and never end up in rubbish bins |
| California proposition 65 | WARNING: This product can expose you to chemicals including: Lead and lead compounds, which is known to the State of California to cause cancer and birth defects or other reproductive harm. For more information go to www.P65Warnings.ca.gov |

Contractual warranty

| | |
|----------|-----------|
| Warranty | 18 months |
|----------|-----------|

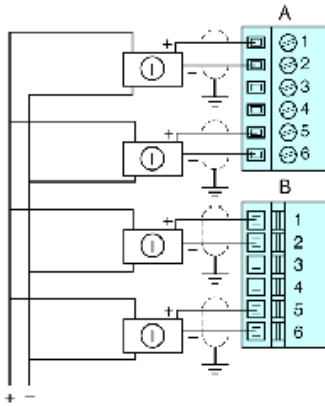
Dimensions



Wiring Diagram

Example

4 isolated analog sensors, external 24 VDC power supply



| Pin | Top Connections | Bottom Connections |
|-----|-----------------|--------------------|
| 1 | current in 1 + | current in 3 + |
| 2 | current in 1 - | current in 3 - |
| 3 | no connection | no connection |
| 4 | no connection | no connection |
| 5 | current in 2 + | current in 4 + |
| 6 | current in 2 - | current in 4 - |