



Main

Range of product	Modicon STB distributed I/O solution
Product or component type	Standard power distribution kit

Complementary

Kit composition	STBXTS2130, spring type connectors STBPDT3100 module STBXBA2200 base STBXTS1130, screw type connectors
[Us] rated supply voltage	24 V
Supply circuit type	DC
Power supply output current	10 A at 45 °C (input/output circuit) 12 A at 30 °C (input/output circuit) 6 A at 70 °C (input/output circuit) 8 A at 60 °C (input/output circuit) 0...4 A at 30 °C (input circuit) 0...8 A at 30 °C (output circuit)
Voltage range	19.2...30 V DC sensor/actuator bus
Hot swapping fallback	Hot swapping illegal
Protection type	Built-in overcurrent protection, 10 A time-lag fuse for output circuit Built-in overcurrent protection, 5 A time-lag fuse for input circuit Reverse polarity for actuator bus
Permissible current	30 A for 2 minutes grounding terminal
Voltage detection threshold	< 15 V +/-1 DC IN/OUT LED lit >= 15 V +/-1 DC IN/OUT LED non lit
Product compatibility	Mounting base STBXBA2200
Marking	CE
Overvoltage category	II
Status LED	1 LED (green) actuator bus power supply (OUT) 1 LED (green) sensor bus power supply (IN)
Depth	65.1 mm
Height	125 mm
Width	18.4 mm
Net weight	0.13 kg

Environment

Product certifications	UL[RETURN]FM Class 1 Division 2[RETURN]CSA
Pollution degree	2 conforming to IEC 60664-1
Operating altitude	<= 2000 m
IP degree of protection	IP20 conforming to EN 61131-2 class 1
Ambient air temperature for operation	0...60 °C (without) -25...70 °C (with derating factor)
Ambient air temperature for storage	-40...85 °C

Relative humidity	95 % at 60 °C without condensation
Vibration resistance	+/-0.35 mm at 10...58 Hz 3 gn at 58...150 Hz on 35 x 7.5 mm symmetrical DIN rail 5 gn at 58...150 Hz on 35 x 15 mm symmetrical DIN rail
Shock resistance	30 gn for 11 ms conforming to IEC 88 reference 2-27

Packing Units

Unit Type of Package 1	PCE
Number of Units in Package 1	1
Package 1 Height	2.5 cm
Package 1 Width	8.5 cm
Package 1 Length	14.0 cm
Package 1 Weight	150.0 g
Unit Type of Package 2	S02
Number of Units in Package 2	24
Package 2 Height	15 cm
Package 2 Width	30 cm
Package 2 Length	40 cm
Package 2 Weight	4.026 kg
Unit Type of Package 3	P06
Number of Units in Package 3	384
Package 3 Height	75.0 cm
Package 3 Width	60.0 cm
Package 3 Length	80.0 cm
Package 3 Weight	75.52 kg

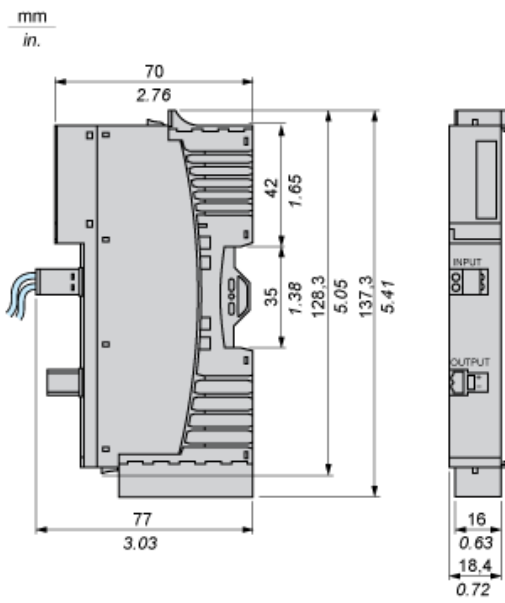
Offer Sustainability

REACH Regulation	 REACH Declaration
EU RoHS Directive	Pro-active compliance (Product out of EU RoHS legal scope)
Mercury free	Yes
China RoHS Regulation	 China RoHS Declaration
RoHS exemption information	 Yes
WEEE	The product must be disposed on European Union markets following specific waste collection and never end up in rubbish bins
California proposition 65	WARNING: This product can expose you to chemicals including: Lead and lead compounds, which is known to the State of California to cause cancer and birth defects or other reproductive harm. For more information go to www.P65Warnings.ca.gov

Contractual warranty

Warranty	18 months
----------	-----------

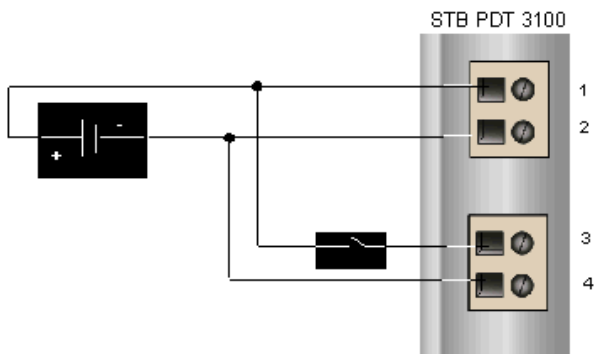
Dimensions



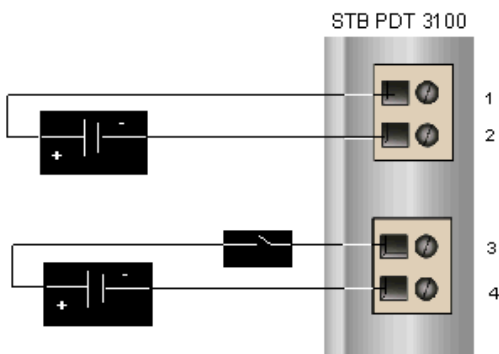
Wiring Diagrams

Examples

Single power supply



Separated power supplies



Pin	Top Connector	Bottom Connector
1	+24 VDC for the sensor bus	+24 VDC for the sensor bus
2	-24 VDC sensor power return	-24 VDC actuator power return

Performance Curve

